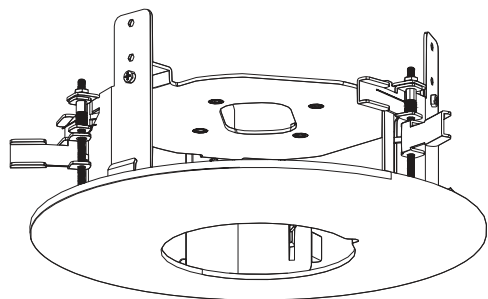
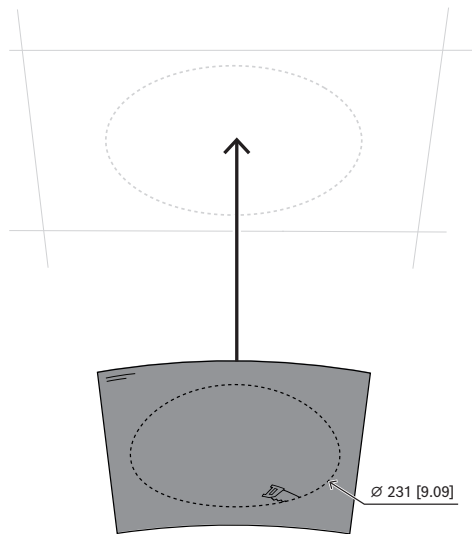


1 |

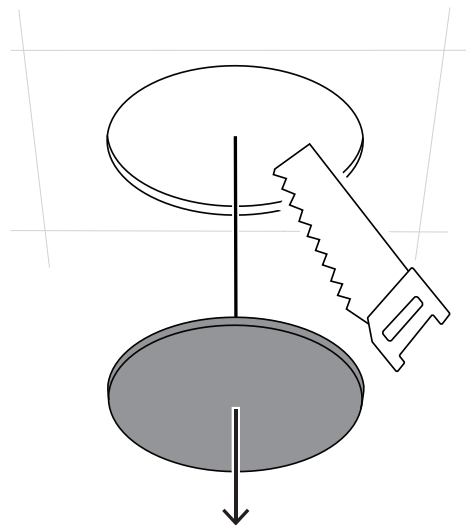


2 |

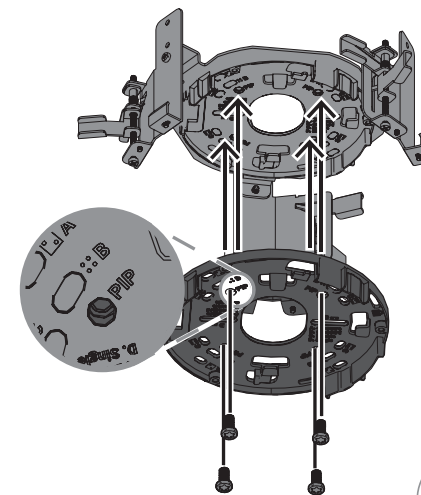


mm [in]

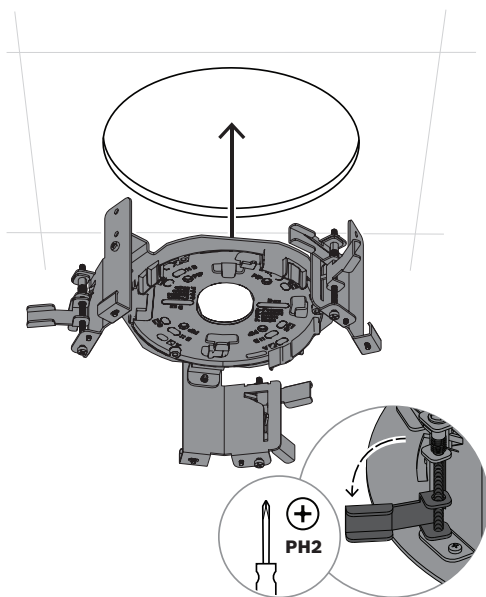
3 |



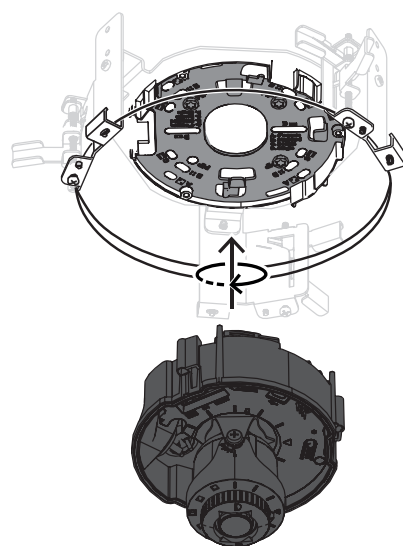
4 |



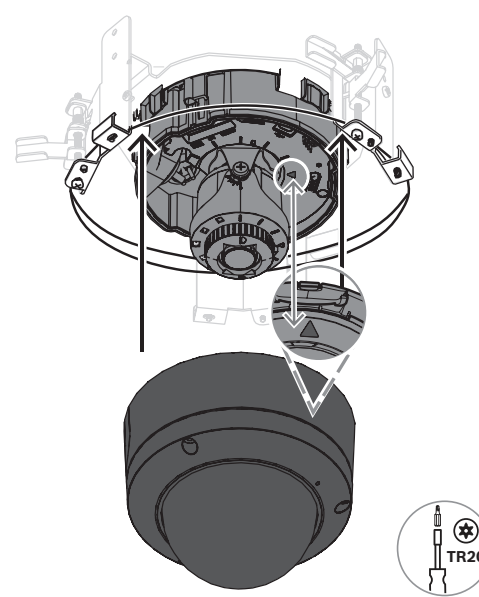
5 |



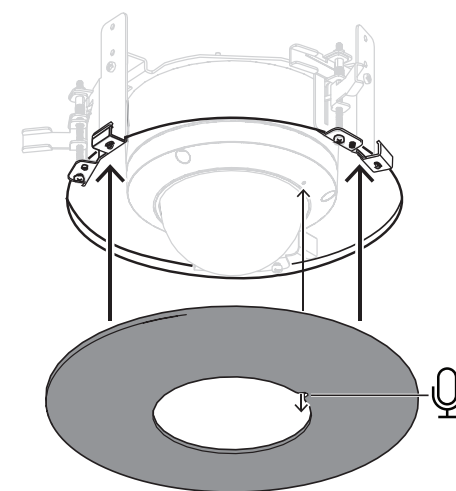
6 |

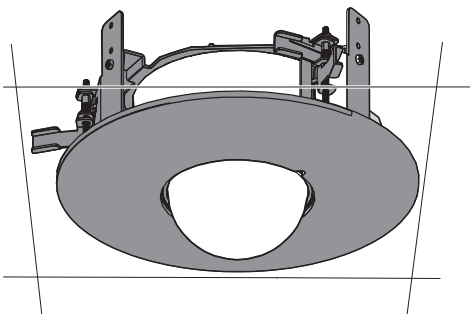


7 |

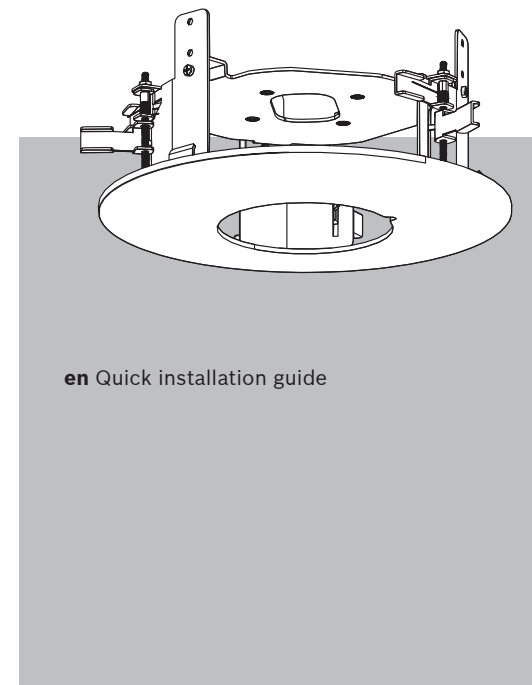


8 |





**In-ceiling mount kit**  
NDA-5070-IC



en Quick installation guide

**Bosch Security Systems B.V.**  
Torenallee 49  
5617 BA Eindhoven  
Netherlands  
**[www.boschsecurity.com](http://www.boschsecurity.com)**  
© Bosch Security Systems B.V., 2022