

## PSU-IIR-100 Power supply, 100-240VAC/24VDC, 4.17A



- ▶ Constant Voltage design for external LED lighting applications
- ▶ Built-in active Power Factor Correction (PFC), typically > 0.93
- ▶ Turn on time < 1 second with soft start
- ▶ Protection: Over-Load, Over Current, Open Circuit, Short Circuit, Over Temperature

PSU-IIR units are Constant Voltage, 24 VDC power supplies designed for LED lighting applications with short circuit, over voltage, over current, and over temperature protection. Each unit includes cable connections with 200 mm (8 in.) input/output flying leads.

### Regulatory information

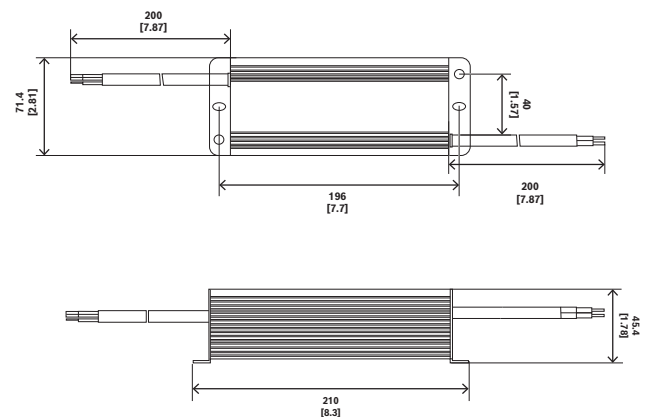
Standards	Type
Emission	EN 55015 EN 61000-3-2 EN 61000-3-3
Immunity	EN 61547 EN 55024 EN 61000-4-2,3,4,5,6,8,11 FCC Part 15, Class B
Other	UL 8750 EN 61347-1 EN 61347-2-13
Marks	CE, RoHS

Region	Regulatory compliance/quality marks	
Europe	CE	BT-VS 2021-E-060
USA	FCC	ST-VS 2017-E-013
	UL	ST-VS 2017-E-013

Region	Regulatory compliance/quality marks	
Great Britain	UKCA	BT-VS 2021-E-061

### Installation/configuration notes

#### PSU-IIR-100



Dimensions in mm (inch)

### Parts included

Quantity	Component
1	Unit

### Technical specifications

#### Electrical

Input voltage (VAC)	100 VAC – 240 VAC 50/60 Hz
---------------------	----------------------------

Output voltage (VDC)	24 VDC
Connection type	Flying leads
Maximum load (A)	4.17 A

### Environmental

Operating temperature (°C)	-25 °C – 50 °C
Operating temperature (°F)	-13 °F – 122 °F
Operating relative humidity, non-condensing (%)	10% – 90%
IP rating	IP67

### Construction

Dimensions (H x W x D) (mm)	71.4 mm x 210 mm x 45.4 mm
Dimensions (H x W x D) (in)	2.81 in x 8.3 in x 1.78 in
Weight (kg)	1.15 kg
Weight (lb)	2.53 lb
Material	Aluminum
Color	Black

### Ordering information

**PSU-IIR-100 Power supply, 100-240VAC/24VDC, 4.17A**  
 Constant Voltage 24 VDC, 100W power supply designed for LED lighting applications. 100-240VAC in, 4.17A out. Aluminum case rated IP67.  
 Order number **PSU-IIR-100**

#### Represented by:

**Europe, Middle East, Africa:**  
 Bosch Security Systems B.V.  
 P.O. Box 80002  
 5600 JB Eindhoven, The Netherlands  
[www.boschsecurity.com/xc/en/contact/](http://www.boschsecurity.com/xc/en/contact/)  
[www.boschsecurity.com](http://www.boschsecurity.com)

**Germany:**  
 Bosch Sicherheitssysteme GmbH  
 Robert-Bosch-Platz 1  
 D-70839 Gerlingen  
[www.boschsecurity.com](http://www.boschsecurity.com)

**North America:**  
 Bosch Security Systems, LLC  
 130 Perinton Parkway  
 Fairport, New York, 14450, USA  
[www.boschsecurity.com](http://www.boschsecurity.com)

**Asia-Pacific:**  
 Robert Bosch (SEA) Pte Ltd, Security Systems  
 11 Bishan Street 21  
 Singapore 573943  
[www.boschsecurity.com/xc/en/contact/](http://www.boschsecurity.com/xc/en/contact/)  
[www.boschsecurity.com](http://www.boschsecurity.com)