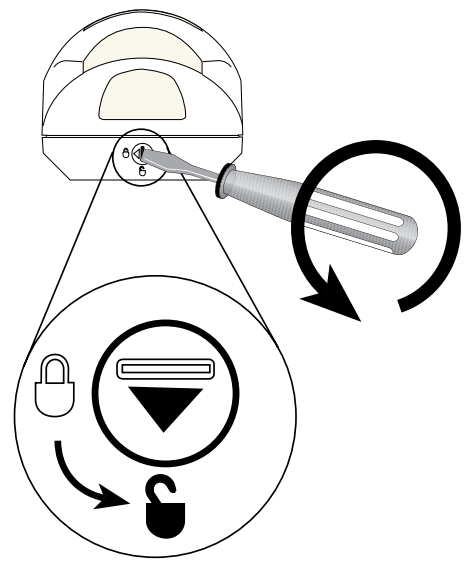
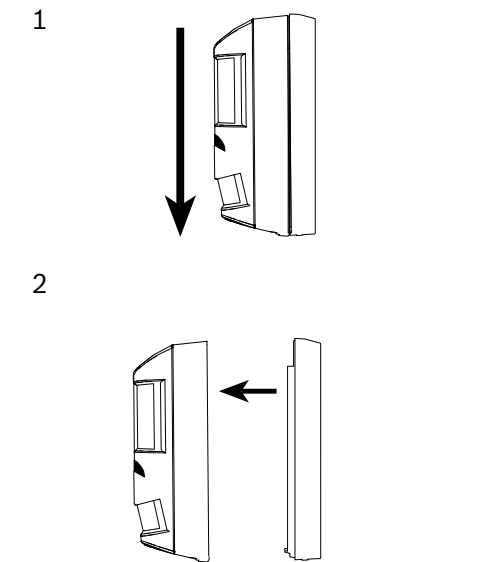


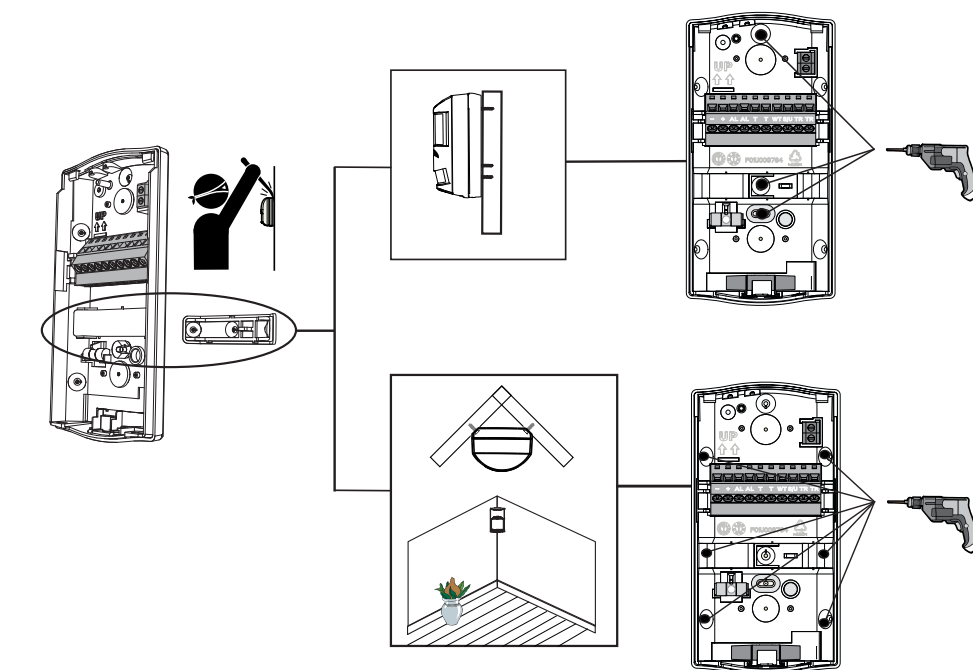
1 |



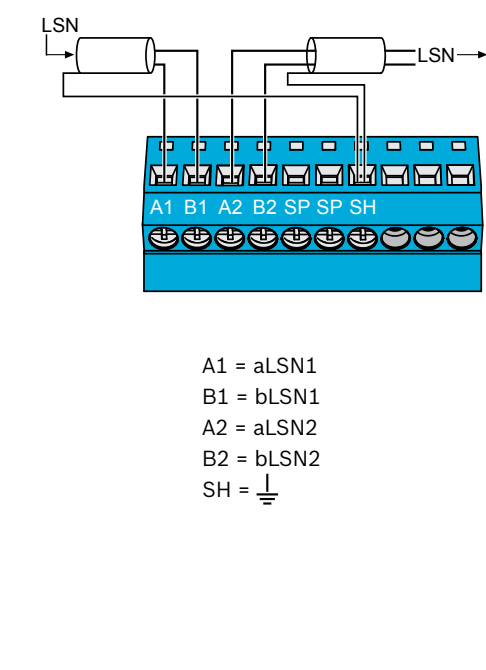
2 |



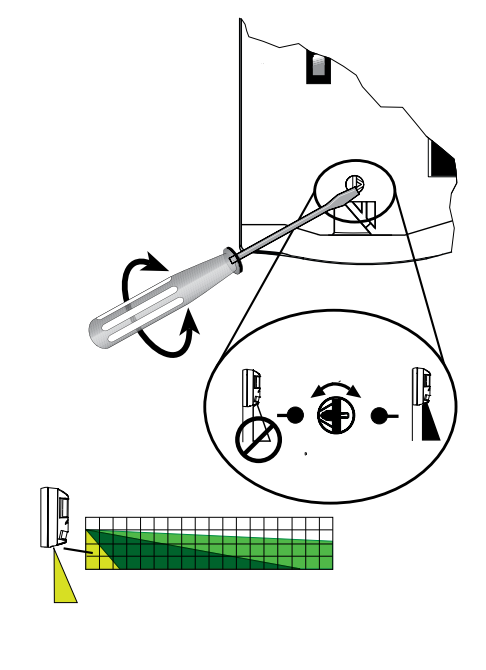
3 |



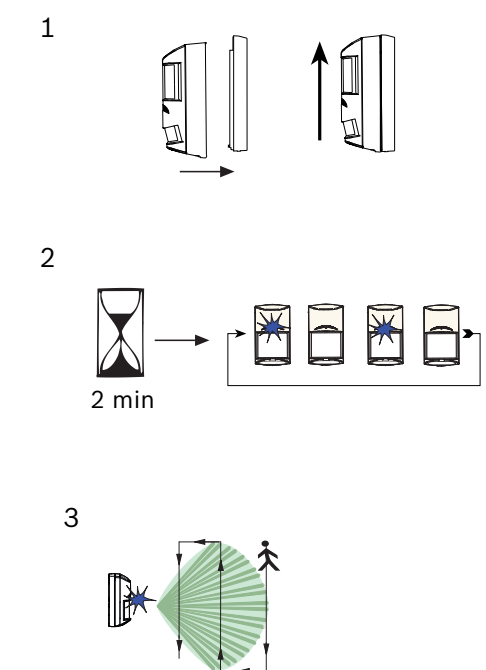
7 |



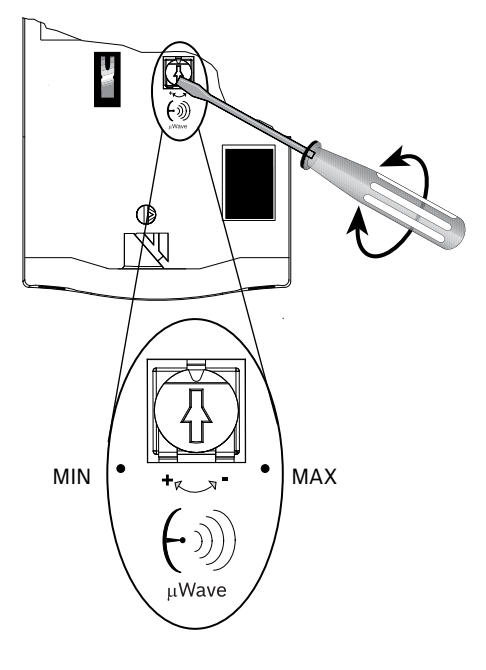
8 |



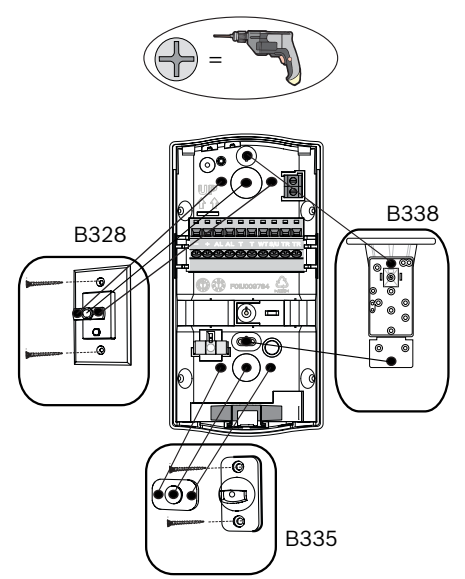
9 |



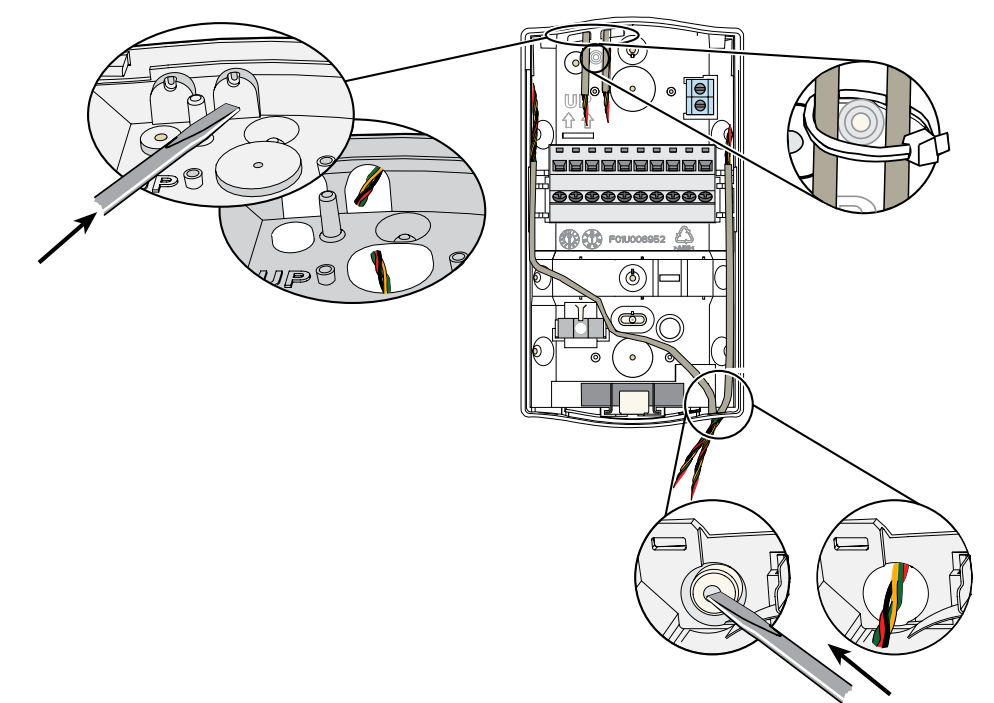
10 |



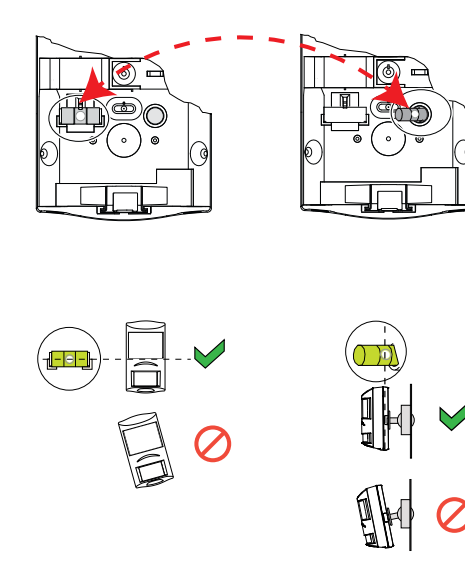
4 |



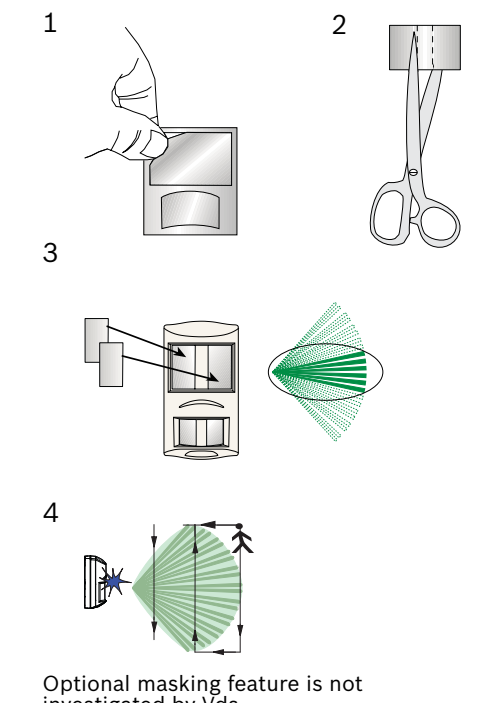
5 |



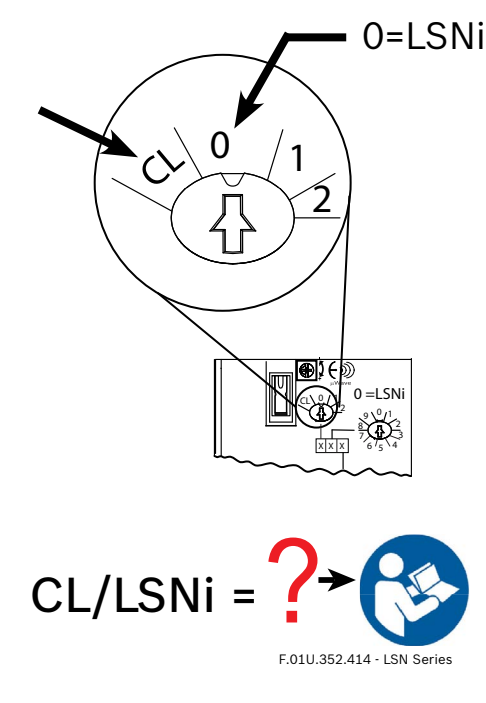
6 |



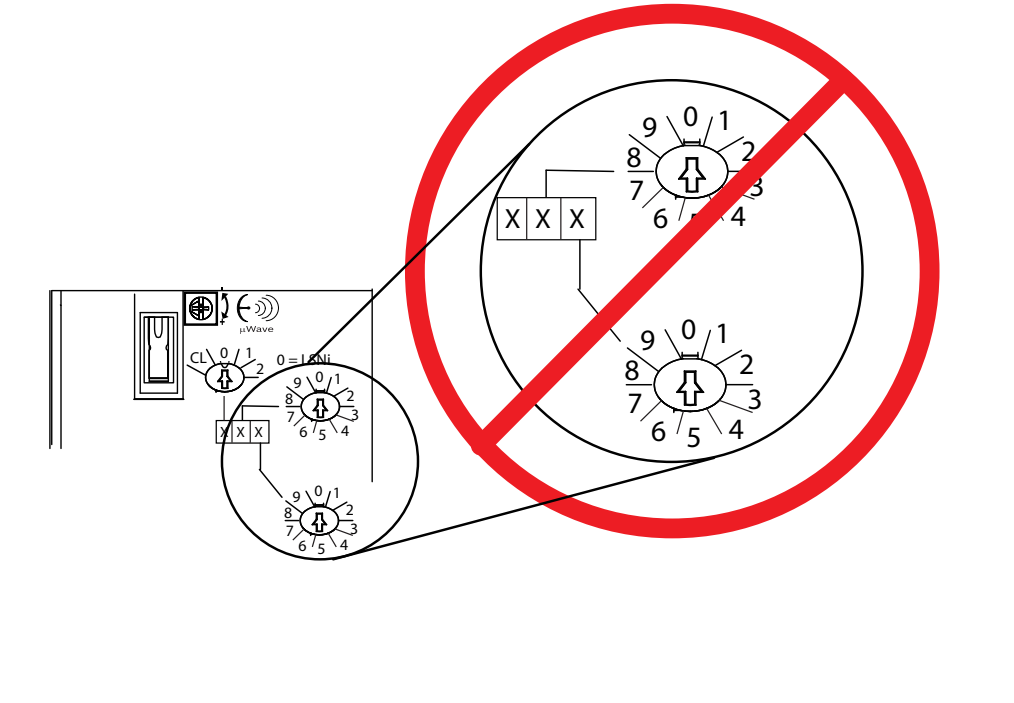
11 |



12 |



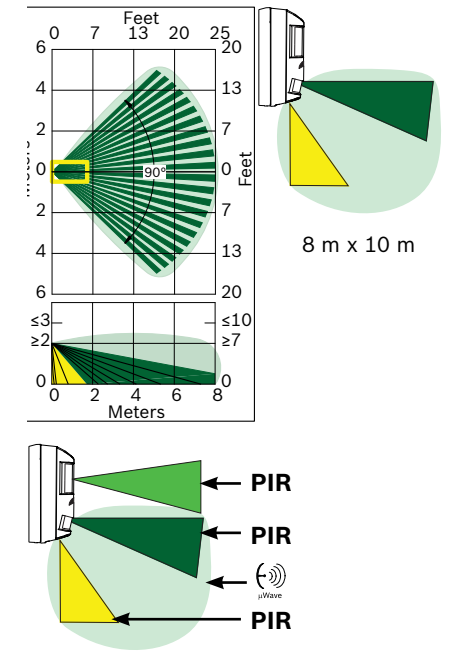
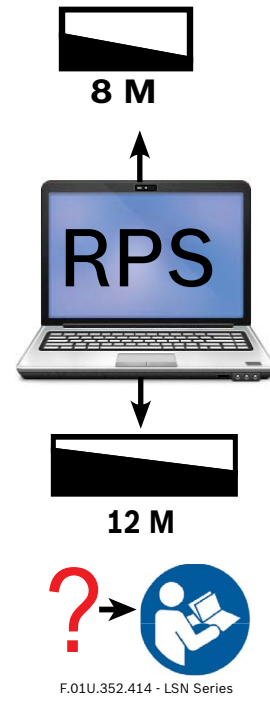
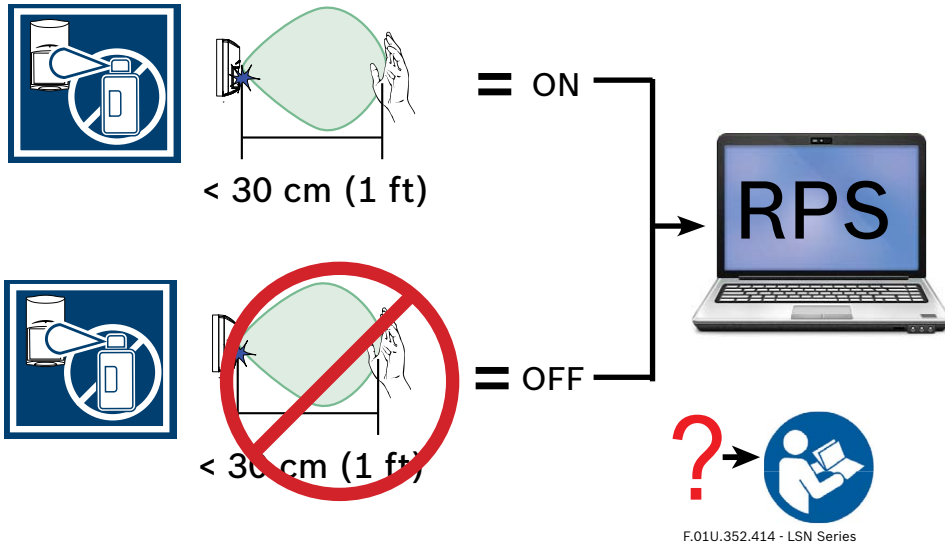
13 |



Optional masking feature is not investigated by Vds.

CL/LSNi = ? →

F.01U.352.414 - LSN Series



LEDs

	Power ON	
	Walk test	
	Self-test failure	
	Low voltage < 9 VDC	
	Alarm memory	
	Masking detected	

Technical Specifications

Operating voltage	9 - 29 VDC
Current	5 mA
Operating temperature	EN 50130-5 Environmental Class II, -10°C - +55°C
Relative humidity	< 93%
Wire size and type	Ø 0.4 mm - 1.3 mm (26 AWG - 16 AWG)

