

## NDE-8502-RX Fixed dome 2MP HDR X 4.4-10mm PTRZ IP66

### FLEXIDOME IP starlight 8000i



- ▶ Motorized Pan, Tilt, Roll, and Zoom (PTRZ) to set the required field of view, without having to touch the camera or lens allows for remote configuration and commissioning
- ▶ Starlight X technology with 1/1.8" HD 1080p sensor for next level low-light performance with maximum detail
- ▶ HDR X - High Dynamic Range to see every detail in both bright and dark areas of the scene without HDR motion blur and artefacts
- ▶ Built-in Intelligent Video Analytics with object detection to trigger alerts and quickly retrieve data with the highest levels of reliability
- ▶ Camera Trainer to train the camera to recognize user-specified target objects for both moving and non-moving objects

The FLEXIDOME IP starlight 8000i - 2MP X series camera offers a 1/1.8" sensor, starlight X and HDR X technology at HD 1080p resolution. It provides the perfect balance between high resolution and extreme low-light sensitivity with starlight X technology, ensuring highly detailed images even in the most challenging situations.

HDR X enables the camera to capture video with a wide dynamic range across different light levels and without HDR motion blur and artefacts on moving objects. Fast moving objects are easily captured with frame rates of up to 60 frames per second.

The camera's remote commissioning functionality makes sure installation and commissioning can be done in very little time. Using a PC or a mobile device with the Bosch Project Assistant app, you can pan, tilt, roll and zoom (PTRZ) and point the camera to the required field of view with a single click - without ever having to touch the camera or lens.

#### Functions

##### Full Remote Commissioning

Installing a professional IP video surveillance camera has never been so easy. In fact, as an installer, you'll never want to go back to the old methods of installing cameras again. We've simplified the installation and commissioning stages to such a degree that they can be done in very little time.

With the FLEXIDOME IP starlight 8000i camera's remote commissioning functionality there's no need to go up and down ladders. Using a PC or a mobile device with the Bosch Project Assistant app, you can pan, tilt, roll and zoom (PTRZ) and point the camera to the required field of view with a single click - without ever having to touch the camera or lens. Wireless or remote configuration and commissioning can also be done at a later stage once all cameras have been installed. Simply connect the Bosch Project Assistant app, available for iOS, Windows or Android, wirelessly to the camera. Or connect to the camera remotely via the network using the camera's web interface or the Bosch Configuration Manager.

### Fast performance

The 60 frames per second mode provides for optimum performance in fast action scenes that makes sure no critical data is lost and video is captured with excellent detail.

### Starlight X - Next level starlight performance

Starlight X technology combines the latest high performance, large pixel sensors, optics, improved image processing and noise suppression, resulting in a 70% improved sensitivity compared to the standard starlight camera.

### HDR X - High Dynamic Range

HDR X is a new technology that combines unique sensor functionality and advanced algorithms. It is a huge leap forward in capturing high quality video of moving objects in scenes with a large dynamic range. It also allows HDR imaging at lower light levels in which traditional HDR technologies are non-functional. This is possible because the HDR X - Motion optimized mode takes two different readouts from one exposure to capture details in both the highlights and shadows of the scene, instead of blending multiple exposures like standard HDR technologies. Blending multiple exposures reduces sharpness and creates unwanted imaging artefacts on moving objects. HDR X resolves these issues, providing a crisp image with improved dynamic range.

In case an even larger dynamic range is required, HDR X - Optimized DR or HDR X - Extreme DR will further increase performance to an absolute maximum by adding another fast exposure. This combines the benefits from HDR X - Motion optimized and traditional HDR.

### Scene modes

Nine configurable modes are provided with the best settings for a variety of applications. In one click fully optimized image settings can be selected to suit the conditions. Different scene modes can be selected for different situations such as traffic or retail environments.

### Intelligent streaming

Smart encoding capabilities, together with Intelligent Dynamic Noise Reduction technology and analytics, reduce the bandwidth consumption to extremely low levels. Only relevant information in the scene, like motion, or objects found with the analytics, need to be encoded.

The camera is capable of quad streaming which allows the camera to deliver independent, configurable streams for live viewing, recording, or remote monitoring via constrained bandwidths.

Each of these streams can be adapted independently to deliver high quality video, perfectly tailored to purpose, while reducing bit rate by up to 90% compared to a standard camera.

### H.265 high-efficiency video encoding

The camera is designed on the most efficient and powerful H.264 and H.265/HEVC encoding platform. The camera is capable of delivering high-quality and high-resolution video with very low network load. With a doubling of encoding efficiency, H.265 is the compression standard of choice for IP video surveillance systems.

### Bitrate optimized profile

The average bitrate for the bitrate optimized profile using H.265 encoding in kbps for different frame rates can be found in the table provided below.

| FPS at 2.1MP | Low activity | Medium activity | High activity |
|--------------|--------------|-----------------|---------------|
| 60           | 836          | 1261            | 2753          |
| 30           | 504          | 753             | 1647          |
| 25           | 441          | 661             | 1440          |
| 15           | 306          | 461             | 992           |
| 10           | 229          | 347             | 740           |
| 5            | 140          | 214             | 450           |
| 3            | 97           | 150             | 313           |
| 1            | 45           | 70              | 144           |

### **i** Notice

Actual bitrate values may vary depending on scene complexity/activity and picture settings.

### Recording and storage management

Recording management can be controlled by the Bosch Video Recording Manager application, or the camera can use local storage and iSCSI targets directly without any recording software. Local storage can be used for recording "at the edge" or for Automatic Network Replenishment (ANR) technology to improve the overall recording reliability. Pre-alarm recording in RAM reduces bandwidth consumption on the network and extends the effective life of the memory card.

### Advanced edge recording

Advanced edge recording provides the most reliable storage solution possible due to the combination of the following functionalities:

- Dual SD cards that can be set up as either:
  - Mirrored, for redundant storage
  - Failover, for extended service intervals
  - Extended, for maximum retention time
- Industrial SD card support allows for extreme lifetime

- Health monitoring of industrial SD cards provide early service indications

### Intelligent Video Analytics on the edge

The camera includes the latest release of the Intelligent Video Analytics application from Bosch. Specifically designed for the most demanding environments. It delivers the highest levels of accuracy for mission-critical applications such as perimeter protection of airports, critical infrastructures and government buildings, border patrol, ship tracking and traffic monitoring (e.g. wrong-way detection, traffic counts, monitoring roadsides for parked cars).

Intelligent Video Analytics is extremely resistant to false triggers caused by challenging environments with snow, wind (moving trees), rain, hail, and water reflections. It is ideal for providing automatic object detection over large distances.

The set-up of Bosch's video analytics is also second to none, which is great news for installers. Should your customer decide to use Intelligent Video Analytics, configuration and calibration couldn't be easier. Simply enter the height of the camera and the rest of the calibration is carried out by the video analytics itself based on information provided by the camera's built-in gyro sensor.

### Camera Trainer

Based on examples of target objects and non-target objects, the Camera Trainer program uses machine learning to allow the user to define objects of interest and generate detectors for them. In contrast to the moving objects that the Intelligent Video Analytics application detects, the Camera Trainer program detects both moving and non-moving objects and classifies them immediately. Using Configuration Manager, you can configure the Camera Trainer program using both live video as well as recordings available through the respective camera. The resulting detectors can be downloaded and uploaded for distribution to other cameras.

A free of charge license is required to activate the Camera Trainer program.

### DORI coverage

DORI (Detect, Observe, Recognize, Identify) is a standard system (EN-62676-4) for defining the ability of a person viewing the video to distinguish persons or objects within a covered area. The maximum distance at which a camera/lens combination can meet these criteria is shown below:

#### 2MP camera with 4.4 mm - 10 mm lens or 12 mm - 40 mm lens

| DORI   | DORI definition | Distance       | Distance      | Horizontal width |
|--------|-----------------|----------------|---------------|------------------|
|        |                 | 4.4 mm / 10 mm | 12 mm / 40 mm |                  |
| Detect | 25 px/m         | 27 m / 86 m    | 115 m / 342 m | 77 m             |
|        | 8 px/ft         | 84 ft / 270 ft |               | 240 ft           |

| DORI      | DORI definition | Distance       | Distance        | Horizontal width |
|-----------|-----------------|----------------|-----------------|------------------|
|           |                 | 4.4 mm / 10 mm | 12 mm / 40 mm   |                  |
| Observe   | 63 px/m         | 11 m / 34 m    | 46 m / 136 m    | 31 m             |
|           | 19 px/ft        | 35 ft / 114 ft | 152 ft / 451 ft | 101 ft           |
| Recognize | 125 px/m        | 5 m / 17 m     | 23 m / 69 m     | 15 m             |
|           | 38 px/ft        | 18 ft / 57 ft  | 76 ft / 225 ft  | 50 ft            |
| Identify  | 250 px/m        | 3 m / 9 m      | 12 m / 34 m     | 8 m              |
|           | 76 px/ft        | 9 ft / 28 ft   | 38 ft / 113 ft  | 25 ft            |

### Data security

Special measures ensure the highest level of security for device access and data transport. On initial setup, the camera is only accessible over secure channels and enforces a password. Web browser and viewing client access can be protected using HTTPS or other secure protocols that support state-of-the-art TLS 1.2 with updated cipher suites including AES encryption with 256 bit keys. No software can be installed in the camera, and only authenticated firmware can be uploaded. A three-level password protection with security recommendations allows users to customize device access.

Network and device access can be protected using 802.1x network authentication with EAP/TLS. Superior protection from malicious attacks is guaranteed by the Embedded Login Firewall, on-board Trusted Platform Module (TPM) and Public Key Infrastructure (PKI) support.

The advanced certificate handling offers:

- Self-signed unique certificates automatically created when required
- Client and server certificates for authentication
- Client certificates for proof of authenticity
- Certificates with encrypted private keys

### System integration and ONVIF conformance

The camera conforms to the ONVIF Profile S, ONVIF Profile G, ONVIF Profile M, and ONVIF Profile T specifications. For H.265 configuration, the camera supports Media Service 2, which is part of ONVIF Profile T. Compliance with these standards guarantees interoperability between network video products regardless of manufacturer.

Third-party integrators can easily access the internal feature set of the camera for integration into large projects. Visit the Bosch Integration Partner Program (IPP) website ([ipp.boschsecurity.com](http://ipp.boschsecurity.com)) for more information.

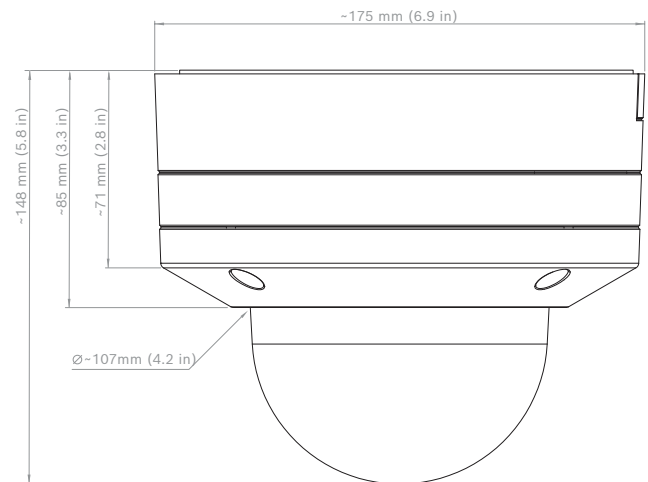
### Universal accessories

A full line of universal accessories are available that allow a consistent design across different platforms and a wide range of installation possibilities. Several dedicated accessories are available that seamlessly fit to the camera and expand the different installation options over previous generations. Available options include: a paintable cover, an on-camera weather protector, a clear or tinted replacement bubble, in-ceiling mounting kits, a surveillance cabinet with power and fiber optic options and different mounting options.

### Regulatory information

| Standards             | Type  |
|-----------------------|---|
| Emission              | EN 300 328, EN 62311, EN 50121-4 (EN 55016-2-1, EN 61000-4-2, EN 61000-4-3, EN 61000-4-4, EN 61000-4-5, EN 61000-4-6), ISSED RSS-247, ISSED RSS-GEN, CFR 47 FCC, part 15.247, 15.205, 15.207, 15.209, Class B, AS/NZS CISPR 32                    |
| Immunity              | EN 301 489-1, EN 301 489-3, EN 301 489-17, EN 50130-4 (EN 61000-4-2, EN 61000-4-3, EN 61000-4-4, EN 61000-4-5, EN 61000-4-6), EN 50121-4 (EN 55016-2-1, EN 61000-4-2, EN 61000-4-3, EN 61000-4-4, EN 61000-4-5, EN 61000-4-6)                     |
| Environmental         | EN 50130-5 Class IVA (EN 60068-2-2, EN 60068-2-5, EN 60068-2-6, EN 60068-2-18, EN 60068-2-27, EN 60068-2-30, EN 60068-2-42, EN 60068-2-52, EN 60068-2-75, EN 60068-2-78, EN 60529), UL 2043 when combined with NDA-8001-PLFN, Nema TS 2 Section 2 |
| Safety                | EN 62368-1, EN 60950-22, UL 62368-1, UL 60950-22, CSA C22.2 No. 62368-1-14, CAN/CSA-C22.2 No. 60950-22:07   |
| Image performance     | IEC 62676-5   |
| HD                    | SMPTE 296M-2001 (Resolution: 1280x720)<br>SMPTE 274M-2008 (Resolution: 1920x1080)   |
| Color representation  | ITU-R BT.709-6  |
| ONVIF conformance     | EN 50132-5-2, EN 62676-2  |
| Impact protection     | EN 62262 (IK10)   |
| Water/dust protection | EN 60529 (IP66), ISO 20653 (IP6K9K), UL50E (Type 4X), UL 60950-22   |
| Environment           | 2011/65/EU RoHS (EN 50581 and EN IEC 63000), 1999/45/EC and 1907/2006 REACH, 2012/19/EU WEEE, 94/62/EC Packaging  |
| Marks                 | CE, cULus, WEEE, RCM, EAC, China RoHS, Cmm, BIS, NOM, ANRT, KCC, Anatel, ICASA, TRA, BSMI, NCC  |

### Installation/configuration notes



### Parts included

| Quantity | Component                                      |
|----------|--|
| 1        | FLEXIDOME IP 8000i camera                      |
| 1        | T-20 security Torx bit                         |
| 1        | Quick installation guide                       |
| 1        | Safety information                             |
| 2        | Rubber grommet for the Ethernet cable          |
| 1        | Network patch cable 50 cm                      |
| 1        | 10-pin I/O connector                           |
| 1        | 2-pin power connector                          |
| 1        | Cable conduit for side entry                   |
| 1        | Washer for cable conduit                       |
| 1        | Adapter plate for cable conduit (Ø 3/4" / M25) |
| 1        | Adapter plate for cable conduit (Ø 1/2" / M20) |
| 3        | Identification label                           |

### Technical specifications

| Power         |   |
|---------------|---|
| Input voltage | PoE IEEE 802.3af / 802.3at Type 1, Class 3;<br>24 VAC ± 10%;<br>12-26 VDC ± 10%;<br>PoE and auxiliary power can be connected simultaneously for redundant operation |

| Power                                  |   |
|--|---|
| Power Consumption (typical / maximum)  | PoE: 7 W / 12.95 W;<br>24 VAC: 7.1 W - 12 VA / 13 W - 25 VA;<br>12-26 VDC: 7.5 W / 16 W   |
| Sensor                                 |   |
| Sensor type                            | 1/1.8-inch CMOS   |
| Effective pixels                       | 1920 x 1080 4.1 µm pixels, 2.1MP (approx.)  |
| Sensitivity                            |   |
| Low-light technology                   | starlight X   |
| Measuring method                       | IEC 62676 Part 5 (1/25)   |
| Color                                  | 0.0061 lx (F1.3);<br>0.0178 lx (F2.3)   |
| Mono                                   | 0.0007 lx (F1.3);<br>0.0026 lx (F2.3)   |
| Dynamic range                          |   |
| Dynamic range (WDR)                    | HDR X 144 dB  |
| Measured according to IEC 62676 Part 5 | 108 dB WDR  |
| Optical (4.4 to 10 mm lens)            |   |
| Lens                                   | 4.4 to 10 mm P-iris lens (IR corrected);<br>F-stop 1.3 - 1.97   |
| Adjustment                             | Motorized zoom/focus  |
| Iris control                           | P-iris control  |
| Viewing angle                          | Wide: 110° x 56° (H x V);<br>Tele: 48° x 27° (H x V)  |
| Platform                               |   |
| Common product platform                | CPP7.3  |
| Video streaming                        |   |
| Video compression                      | H.265; H.264; M-JPEG  |
| Sensor modes                           | 25 fps, HDR X, 1920 x 1080 (2.1 MP);<br>30 fps, HDR X, 1920 x 1080 (2.1 MP);<br>50 fps, 1920 x 1080 (2.1 MP);<br>60 fps, 1920 x 1080 (2.1 MP) |

| Video streaming             |   |
|-----------------------------|---|
| Streaming                   | Multiple configurable streams in H.264, H.265 and M-JPEG, configurable frame rate and bandwidth.<br>Regions of Interest (ROI);<br>Bosch Intelligent Streaming |
| Camera latency              | 67 ms (60 fps)  |
| GOP structure               | IBBP  |
| Frame rate                  | 1-60 fps  |
| Signal-to-Noise Ratio (SNR) | >55 dB  |

| Video resolution (H x V) |             |
|--------------------------|-------------|
| 1080p HD                 | 1920 x 1080 |
| 1.3 MP (5:4)             | 1280 x 1024 |
| 720p HD                  | 1280 x 720  |
| 480p SD                  | 854 x 480   |
| SD 4:3 (cropped)         | 704 x 480   |

| Camera installation    |  |
|------------------------|--|
| Mirror image           | On / Off                                   |
| Rotate                 | 0° / 90° upright / 180° / 270° upright     |
| Camera LED             | Auto disable/Enable/Disable                |
| Positioning            | Coordinates / Mounting height              |
| Camera view wizard     | Motorized pan, tilt, roll, zoom, autofocus |
| Wireless commissioning | IEEE 802.11b/g/n                           |

| Video functions - color     |   |
|-----------------------------|---|
| Adjustable picture settings | Contrast, Saturation, Brightness  |
| White Balance               | 2500 to 10000K, 4 automatic modes (Basic, Standard, Sodium lamp, Dominant color), Manual mode and Hold mode |

| Video functions - ALC |  |
|-----------------------|--|
| ALC level             | Adjustable   |
| Saturation            | Adjustable from peak to average  |
| Shutter               | Automatic Electronic Shutter (AES);<br>Fixed shutter (1/25[30] to 1/15000) selectable; |

| Video functions - ALC      |  |
|----------------------------|--|
|                            | Default shutter  |
| Day/Night                  | Auto (adjustable switch points), Color, Monochrome   |
| Video functions - enhance  |  |
| Sharpness                  | Sharpness enhancement level selectable   |
| Backlight compensation     | On/off   |
| Contrast enhancement       | On/off   |
| Noise reduction            | Intelligent Dynamic Noise Reduction with separate temporal and spatial adjustments   |
| Intelligent defog          | Intelligent Defog automatically adjusts parameters for best picture in foggy or misty scenes (switchable)  |
| Video content analysis     |  |
| Analysis type              | Intelligent Video Analytics, Camera Trainer  |
| Configurations             | Silent VCA / Profile1/2 / Scheduled / Event triggered  |
| Alarm rules (combinable)   | Any object, Object in field, Line crossing, Enter / leave field, Loitering, Follow route, Idle / removed object, Counting, Occupancy, Crowd density estimation, Condition change, Similarity search, Flow / counter flow |
| Object filters             | Duration, Size, Aspect ratio, Speed, Direction, Color, Object classes (4)  |
| Tracking modes             | Standard (2D) tracking, 3D tracking, 3D people tracking, Ship tracking, Museum mode  |
| Calibration / Geolocation  | Automatic, based on gyro sensor, focal length and camera height  |
| Tamper detection           | Maskable   |
| Additional functionalities | Tamper detection, Face detection   |
| Additional functions       |  |
| Scene modes                | 10 default modes with scheduler: Indoor, Outdoor, Traffic, Night Optimized, Intelligent AE, Vibrant, Low bitrate, Sports & Gaming, Retail, License Plate Recognition (LPR)   |
| Privacy Masking            | Eight independent areas, fully programmable  |

| Additional functions             |  |
|----------------------------------|--|
| Face detection                   | Image posting  |
| Display stamping                 | Name; Logo; Time; Alarm message  |
| Pixel counter                    | Selectable area  |
| Local storage                    |  |
| Internal RAM                     | 5 s pre-alarm recording  |
| Memory card slots                | Dual SDXC / SDHC / SD card slots.  |
| Dual SD-card slot configurations | <ul style="list-style-type: none"> <li>• Mirror (redundant storage)</li> <li>• Failover (extended service interval)</li> <li>• Extend (maximum retention time)</li> <li>• Automatic Network Replenishment</li> </ul> |
| Industrial SD cards              | Extreme lifetime and health monitoring support that provides early service indication.   |
| Input/output                     |  |
| Power output                     | +12 VDC, max 50 mA   |
| Audio signal line in             | 10 kOhm typical; 1 Vrms max  |
| Audio signal line out            | 1 Vrms; 1.5 kOhm typical   |
| Alarm input                      | 2 supervised inputs, dry contact or voltage operated (5 - 40 VDC); 2.2K end-of-line resistor   |
| Alarm output                     | 1 output, maximum: 30 VAC or +40 VDC, 0.5 A continuous, 10 VA  |
| Ethernet                         | Shielded RJ45  |
| Surge protection                 | Ethernet: 1 kV, 2 kA to ground (8/20 $\mu$ s pulse)  |
| Fiber optics (sold separately)   | The Fiber Optic Ethernet Media Converter kit (VG4-SFPSCKT) installed inside a Surveillance Cabinet (NDA-U-PA0, NDA-U-PA1 or NDA-U-PA2) provides the fiber optic interface to the mounted camera.                     |
| Audio streaming                  |  |
| Standard                         | G.711, 8 kHz sampling rate<br>L16, 16 kHz sampling rate<br>AAC-LC, 48 kbps at 16 kHz sampling rate<br>AAC-LC, 80 kbps at 16 kHz sampling rate  |
| Signal-to-Noise Ratio            | >50 dB   |

| Audio streaming          |   |
|--------------------------|---|
| Audio Streaming          | Full-duplex / half duplex   |
| Network                  |   |
| Protocols                | IPv4, IPv6, UDP, TCP, HTTP, HTTPS, RTP/RTCP, IGMP V2/V3, ICMP, ICMPv6, RTSP, FTP, ARP, DHCP, APIPA (Auto-IP, link local address), NTP (SNTP), SNMP (V1, V3, MIB-II), 802.1x, DNS, DNSv6, DDNS (DynDNS.org, selfHOST.de, no-ip.com), SMTP, iSCSI, UPnP (SSDP), DiffServ (QoS), LLDP, SOAP, Dropbox™, CHAP, digest authentication |
| Ethernet                 | 10/100 Base-T   |
| Interoperability         | ONVIF Profile S, ONVIF Profile G, ONVIF Profile T, ONVIF Profile M  |
| Data security            |   |
| Crypto Coprocessor (TPM) | RSA 2048 bit, AES/CBC 256 bit   |
| PKI                      | X.509 certificates  |
| Encryption               | Full end-to-end encryption with supported VMS Network: TLS1.0/1.2, AES128, AES256<br>Local storage: XTS-AES   |
| Video authentication     | checksum, MD5, SHA-1, SHA-256   |
| Mechanical               |   |
| Dimensions (D x H)       | 175 x 148 mm (6.9 x 5.7 in)   |
| Weight                   | 2.2 kg (4.85 lbs)   |
| Mounting                 | Surface mount   |
| Color                    | White (RAL9003)   |
| Motorized PTR range      | Pan: 0° to +361°;<br>Tilt: -3° to +86° (NDE-8502-R), -3° to +90° (NDE-8502-RT);<br>Roll: -95° to +95°   |
| Dome bubble              | Polycarbonate, clear with UV blocking anti-scratch coating  |
| Housing                  | Aluminum with dehumidifying membranes and waterproof connection area  |
| Environmental            |   |
| Operating temperature    | -50 °C to +60 °C (-58 °F to +140 °F) for continuous operation;  |

| Environmental                     |  |
|-----------------------------------|--|
|                                   | Up to +74 °C (+165 °F) according to NEMA TS 2-2003 (R2008), para 2.1.5.1 using fig. 2.1 test profile |
| Storage temperature               | -30 °C to +70 °C (-22 °F to +158 °F)   |
| Operating humidity                | 5% to 93% RH non condensing<br>5% to 100% RH condensing  |
| Storage humidity                  | Up to 98% RH   |
| Impact resistance casing and dome | IK10+ (50 joules)  |
| Water/dust protection             | IP66, IP6K9K and NEMA Type 4X  |

### Ordering information

#### NDE-8502-RX Fixed dome 2MP HDR X 4.4-10mm PTRZ IP66

Fixed dome with wireless commissioning. Made to order. Contact your Bosch sales dealer for availability. Order number **NDE-8502-RX | F.01U.385.211**

#### Accessories

##### NDA-8000-PC Paintable cover, 4 pcs

Paintable cover (4 pieces) for FLEXIDOME IP 8000i. Order number **NDA-8000-PC | F.01U.324.966**

##### NDA-8000-CBL Clear replacement bubble

Clear replacement bubble. Order number **NDA-8000-CBL | F.01U.324.934**

##### NDA-8000-TBL Tinted Bubble

Tinted bubble for FLEXIDOME IP 8000i. Order number **NDA-8000-TBL | F.01U.324.973**

##### NDA-8001-IC In-ceiling mount kit

In-ceiling mount kit for FLEXIDOME IP 8000i with microphone support. Order number **NDA-8001-IC | F.01U.398.407**

##### NDA-8001-PLEN Plenum-rated mount kit

Plenum-rated in-ceiling mount kit for FLEXIDOME IP 8000i with microphone support. Order number **NDA-8001-PLEN | F.01U.398.393**

##### NDA-8000-SP In-ceiling mount support kit

Soft ceiling support for in-ceiling mount kit for FLEXIDOME IP 8000i. Order number **NDA-8000-SP | F.01U.324.937**

##### NDA-8000-WP On-camera weather protector

On-camera weather protector for FLEXIDOME IP 8000i. Order number **NDA-8000-WP | F.01U.324.929**

##### NDA-8000-PIP Pendant interface plate, indoor

Pendant interface plate for FLEXIDOME IP 8000i and FLEXIDOME IP panoramic 6000/7000 outdoor. Order number **NDA-8000-PIP | F.01U.324.938**

**NDA-8000-PIPW Pendant interface plate, outdoor**

Pendant interface plate including weather protector for FLEXIDOME IP 8000i and FLEXIDOME IP panoramic 6000/7000 outdoor.

Order number **NDA-8000-PIPW | F.01U.324.967**

**NDA-U-WMT Pendant wall mount**

Universal wall mount for dome cameras, white

Order number **NDA-U-WMT | F.01U.324.939**

**NDA-U-PMT Pendant pipe mount, 12" (31cm)**

Universal pipe mount for dome cameras, 31 cm, white

Order number **NDA-U-PMT | F.01U.324.940**

**NDA-U-PMTS Pendant pipe mount, 4" (11 cm)**

Universal pendant pipe mount for dome cameras, 11 cm (4"), white

Order number **NDA-U-PMTS | F.01U.385.046**

**NDA-U-PMTE Pendant pipe extension, 20" (50cm)**

Extension for universal pipe mount, 50 cm, white

Order number **NDA-U-PMTE | F.01U.324.941**

**NDA-U-PSMB Pendant wall/ceiling mount SMB**

Surface mount box (SMB) for wall mount or pipe mount.

Order number **NDA-U-PSMB | F.01U.324.942**

**NDA-U-PA0 Surveillance cabinet 24VAC**

Surveillance cabinet, 24 VAC input, 24 VAC output, IP66

Order number **NDA-U-PA0 | F.01U.324.947**

**NDA-U-PA1 Surveillance cabinet 120VAC**

Surveillance cabinet, 100 - 120 VAC 50/60 Hz input, 24 VAC output, IP66

Order number **NDA-U-PA1 | F.01U.324.948**

**NDA-U-PA2 Surveillance cabinet 230VAC**

Surveillance cabinet, 230 VAC input, 24 VAC output, IP66

Order number **NDA-U-PA2 | F.01U.324.949**

**NDA-U-PMAL Pole mount adapter large**

Universal pole mount adapter, white; large

Order number **NDA-U-PMAL | F.01U.324.944**

**NDA-U-PMAS Pole mount adapter small**

Pole mount adapter small

Universal pole mount adapter, white; small.

Order number **NDA-U-PMAS | F.01U.324.943**

**NDA-U-RMT Pendant parapet mount**

Universal roof mount for dome cameras, white

Order number **NDA-U-RMT | F.01U.324.945**

**NDA-U-WMTG Pendant wall mount, gang box**

Universal wall mount, compatible with gang box installation for fixed dome cameras only, white

Order number **NDA-U-WMTG | F.01U.358.358**

**NDA-U-PMTG Pendant pipe mount, gang box**

Universal pipe mount, compatible with gang box installation for fixed dome cameras only, white

Order number **NDA-U-PMTG | F.01U.358.359**

**VG4-SFPSCKT Ethernet to SFP interface kit**

Ethernet media converter video transmitter/data receiver fiber optic kit for AUTODOME cameras, for MIC-IP-PSU for MIC analog cameras and for the Surveillance cabinets (NDA-U-PA0, NDA-U-PA1 and NDA-U-PA2).

Order number **VG4-SFPSCKT | F.01U.142.529**

**SFP-2 Fiber module, multimode, 1310nm, 2LC**

SFP Fiber Optic Module, 2 km (1.2 miles), 2 LC connectors.

Multi-mode

1310 nm

Order number **SFP-2 | F.01U.136.537**

**SFP-3 Fiber module, single-mode, 1310nm, 2LC**

SFP Fiber Optic Module, 20 km (12.4 miles), 2 LC connectors.

Single-mode

1310 nm

Order number **SFP-3 | F.01U.136.538**

**SFP-25 Fiber module, 1310/1550nm, 1SC**

SFP Fiber Optic Module, 2 km (1.2 miles), 1 SC connector

Multi-mode

1310/1550 nm

Order number **SFP-25 | F.01U.136.541**

**SFP-26 Fiber module, 1550/1310nm, 1SC**

SFP Fiber Optic Module, 2 km (1.2 miles), 1 SC connector

Multi-mode

1550/1310 nm

Order number **SFP-26 | F.01U.136.542**

**Services**

**EWE-FDIP8I-IW 12 mths wrty ext FD IP 8000i**

12 months warranty extension

Order number **EWE-FDIP8I-IW | F.01U.380.691**

**Represented by:****Europe, Middle East, Africa:**

Bosch Security Systems B.V.  
P.O. Box 80002  
5600 JB Eindhoven, The Netherlands  
Phone: + 31 40 2577 284  
[www.boschsecurity.com/xc/en/contact/](http://www.boschsecurity.com/xc/en/contact/)  
[www.boschsecurity.com](http://www.boschsecurity.com)

**Germany:**

Bosch Sicherheitssysteme GmbH  
Robert-Bosch-Ring 5  
85630 Grasbrunn  
Tel.: +49 (0)89 6290 0  
Fax: +49 (0)89 6290 1020  
[de.securitysystems@bosch.com](mailto:de.securitysystems@bosch.com)  
[www.boschsecurity.com](http://www.boschsecurity.com)

**North America:**

Bosch Security Systems, LLC  
130 Perinton Parkway  
Fairport, New York, 14450, USA  
Phone: +1 800 289 0096  
Fax: +1 585 223 9180  
[onlinehelp@us.bosch.com](mailto:onlinehelp@us.bosch.com)  
[www.boschsecurity.com](http://www.boschsecurity.com)

**Asia-Pacific:**

Robert Bosch (SEA) Pte Ltd, Security Systems  
11 Bishan Street 21  
Singapore 573943  
Phone: +65 6571 2808  
Fax: +65 6571 2699  
[www.boschsecurity.com/xc/en/contact/](http://www.boschsecurity.com/xc/en/contact/)  
[www.boschsecurity.com](http://www.boschsecurity.com)