

NDA-U-PSU2H PSU, IR, 230VAC, for NDA-7100-PEN/PENF



Bosch offers a series of stand-alone power supply units that provide 230 VAC power to AUTODOME 7100i IR cameras for applications without PoE or for redundant power applications with PoE. Each unit has a cover door that provides IP rating IP66/ UL Type 4X ingress protection and meets power and electrical safety requirements in extreme environmental conditions. The unique design and the IK10 rating protect the power supply units from vandalism and tampering events. These units can be mounted directly to a wall or other flat surface. Optional pole and corner mounting accessories are also available, allowing you to tailor your AUTODOME installation to your specific requirements. Multiple cable gland/conduit entry points protect cables and simplify installation.

Regulatory information

For a full list of all related certifications/standards, refer to the Product Test Reports, available on the online catalog, on the Documents tab of the product page for your device. If the document is unavailable on the product page, contact your sales representative.

- ▶ Aluminum enclosure rated to IP66 and UL Type 4X to prevent dust and water ingress
- ▶ IK10 impact rating ensures enclosure integrity

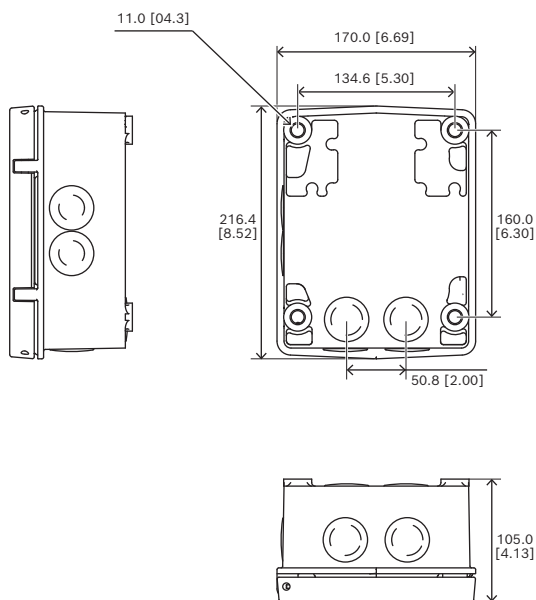
EN 61000-3-3: 2013
FCC 47 Part 15 B (Class A)
CISPR 32 (Class A)

RoHS Complies with EN IEC 63000:2018

Product Safety Complies with EN, IEC, UL Standards including:
UL 62368-1 2nd Ed
CAN/CSA C22.2 No. 62368-1-14
IEC 62368-1:2014
EN 62368-1:2014+A11:2017
UL 62368-1 3rd Ed
CSA C22.2 No. 62368-1:19
IEC 62368-1:2018
EN IEC 62368-1:2020+A11:2020

Electromagnetic Compatibility (EMC) Complies with FCC Part 15, ICES-003 Issue 7 (for Canada only), and CE regulations, including latest versions of:
EN 50130-4: 2011
EN 55032: 2015 + A11: 2020 (Class A)
EN 61000-3-2: 2014

Installation/configuration notes



Parts included

Quantity	Component
1	NDA-U-PSU2H power supply box
1	Quick installation guide
1	Safety and security information manual

Technical specifications

Electrical

Input voltage (VAC)	230 VAC \pm 10%, 50/60 Hz
Output voltage (VAC)	24 VAC @ 3.5A, 50/60 Hz (IEC 62638-1 Limited Power Source)

Note: 24 VAC @ 2 A is not used.

Mechanical

Dimensions (H x W x D) (mm)	216.4 mm x 170 mm x 105 mm
Dimensions (H x W x D) (in)	8.52 in x 6.69 in x 4.13 in
Color	White

Represented by:

Europe, Middle East, Africa:
Bosch Security Systems B.V.
P.O. Box 80002
5600 JB Eindhoven, The Netherlands
www.boschsecurity.com/xc/en/contact/
www.boschsecurity.com

Germany:
Bosch Sicherheitssysteme GmbH
Robert-Bosch-Platz 1
D-70839 Gerlingen
www.boschsecurity.com

North America:
Bosch Security Systems, LLC
130 Perinton Parkway
Fairport, New York, 14450, USA
www.boschsecurity.com

Asia-Pacific:
Robert Bosch (SEA) Pte Ltd, Security Systems
11 Bishan Street 21
Singapore 573943
www.boschsecurity.com/xc/en/contact/
www.boschsecurity.com

Color (RAL)	RAL 9003 Signal white
Material	Cast solid aluminum
Material finish	Powder coated, Sand finish

Environmental

Operating temperature (°C)	-60 °C – 60 °C
Operating temperature (°F)	-76 °F – 140 °F
Operating relative humidity, condensing (%)	0% – 100%
IP rating	IP66
Impact protection	IK10 (IEC 62262)
Degree of protection	UL type 4X

Ordering information

NDA-U-PSU2H PSU, IR, 230VAC, for NDA-7100-PEN/PENF

Power supply unit without transformer, 230 VAC, IK10
Order number **NDA-U-PSU2H |**