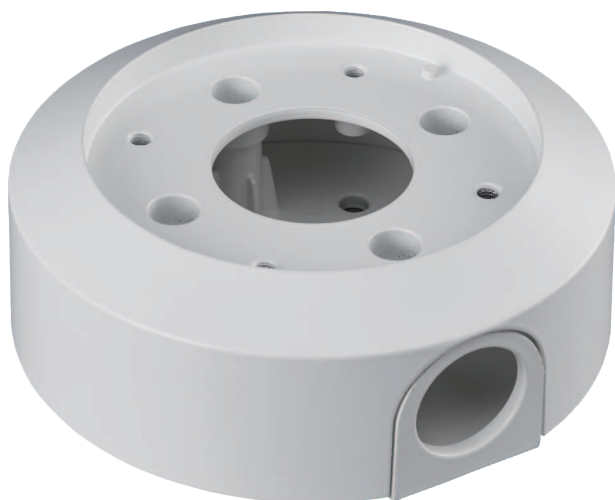


NDA-U-PSMB Pendant wall/ceiling mount SMB



The modular camera mounts & accessories are a family of mounts, mounting adapters, pendant interface plates and surveillance cabinets which can be used with a wide range of Bosch cameras. The accessories are easy to install and can be combined to simplify installation in multiple locations whilst retaining the same look and feel.

Functions

The pendant surface mount box enables installation of the pendant wall or pipe mount with conduits (M25 or 3/4inch).

It provides a safe and robust solution to mount cameras directly to a ceiling or it can be used in combination with:

- NDA-U-CMT Corner mount adapter
- NDA-U-PMAS Pole mount adapter small
- NDA-U-PMAL Pole mount adapter large

Regulatory information

Environmental

Salt mist	IEC60068-2-52
Vibration	NEMA TS2
Shock	IEC60068-2-27
Impact	IK10

- ▶ Surface mount box (SMB) for pendant wall or pipe mount.
- ▶ Enables installation with a conduit (M25 or ¾ inch)
- ▶ Modular design for fast and easy installation
- ▶ Weather resistant finish to maintain cosmetic appearance
- ▶ Vandal resistant design for indoor use

Parts included

Quantity	Component
1	SMB for Pendant wall mount or Ceiling mount
4	M5 x 16 mm pan head Torx screw with Zinc coating
1	Rubber conduit plug
1	Quick Installation Guide

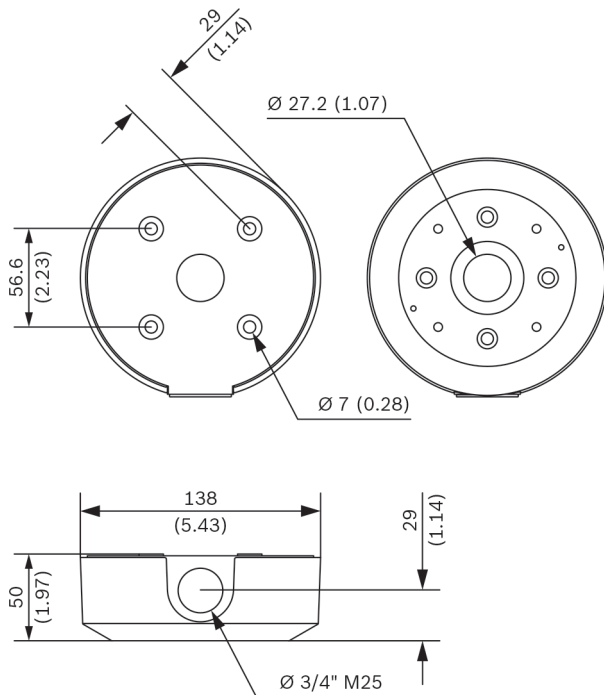
Technical specifications

Mechanical

Dimensions	Φ 138 mm (5.4 in), H = 50 mm (2.0 in)
Weight	428 g (0.94 lb)
Standard Color	White (RAL 9003)

Mechanical

Construction Material Aluminum alloy



Dimensions in mm (inch)

Ordering information**NDA-U-PSMB Pendant wall/ceiling mount SMB**

Surface mount box (SMB) for wall mount or pipe mount.

Order number **NDA-U-PSMB****Accessories****NDA-U-CMT Corner mount adapter**

Universal corner mount, white

Order number **NDA-U-CMT****NDA-U-PMAL Pole mount adapter large**

Universal pole mount adapter, white; large

Order number **NDA-U-PMAL****NDA-U-PMAS Pole mount adapter small**

Pole mount adapter small

Universal pole mount adapter, white; small.

Order number **NDA-U-PMAS****NDA-U-PMT Pendant pipe mount, 12" (31cm)**

Universal pipe mount for dome cameras, 31 cm, white

Order number **NDA-U-PMT****NDA-U-WMT Pendant wall mount**

Universal wall mount for dome cameras, white

Order number **NDA-U-WMT**<https://www.boschsecurity.com>