

## NDA-7080-FP Replacement face plate, corner



In case of damage or excessive dirt accumulation of the FLEXIDOME corner 7100i IR, the camera's face plate can be easily replaced to restore the camera's functionality. Minimal downtime in critical surveillance applications is ensured. This replacement part is identical to the original component and can be painted in any color effortlessly to customize the device's appearance, allowing it to blend discreetly into various surroundings.

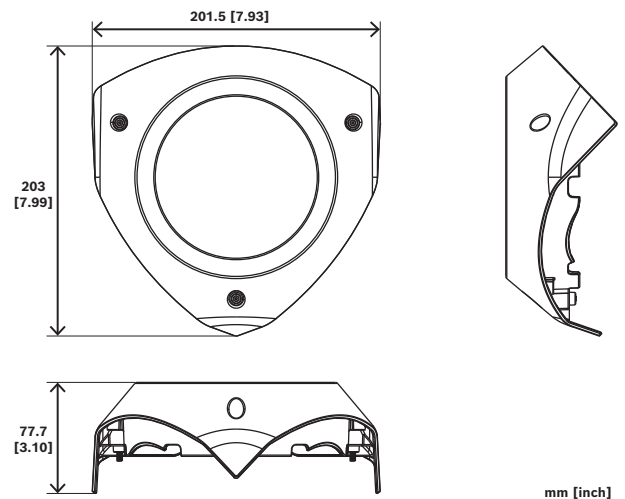
### Functions

#### Customization

This replacement face plate can be easily repainted in the desired color to customize the device's appearance.

- ▶ Easy to replace
- ▶ Weather resistant finish to maintain cosmetic appearance
- ▶ Easy to paint

### Installation/configuration notes



### Parts included

Quantity	Component
1	Aluminum face plate
1	Quick installation guide

### Technical specifications

#### Mechanical

Dimensions (Ø x H) (mm)	201.5 mm x 203 mm
-------------------------	-------------------

Dimensions (Ø x H) (in)	7.93 in x 7.99 in
Weight (g)	521 g
Weight (lb)	1.15 lb
Material	Aluminum
Color in RAL	RAL 9003 Signal white

### Ordering information

**NDA-7080-FP Replacement face plate, corner**  
Replacement face plate, corner  
Order number **NDA-7080-FP | F.01U.406.350**

#### Represented by:

**Europe, Middle East, Africa:**  
Bosch Security Systems B.V.  
P.O. Box 80002  
5600 JB Eindhoven, The Netherlands  
Phone: + 31 40 2577 284  
[www.boschsecurity.com/xc/en/contact/](http://www.boschsecurity.com/xc/en/contact/)  
[www.boschsecurity.com](http://www.boschsecurity.com)

**Germany:**  
Bosch Sicherheitssysteme GmbH  
Robert-Bosch-Ring 5  
85630 Grasbrunn  
Tel.: +49 (0)89 6290 0  
Fax: +49 (0)89 6290 1020  
[de.securitysystems@bosch.com](mailto:de.securitysystems@bosch.com)  
[www.boschsecurity.com](http://www.boschsecurity.com)

**North America:**  
Bosch Security Systems, LLC  
130 Perinton Parkway  
Fairport, New York, 14450, USA  
Phone: +1 800 289 0096  
Fax: +1 585 223 9180  
[onlinehelp@us.bosch.com](mailto:onlinehelp@us.bosch.com)  
[www.boschsecurity.com](http://www.boschsecurity.com)

**Asia-Pacific:**  
Robert Bosch (SEA) Pte Ltd, Security Systems  
11 Bishan Street 21  
Singapore 573943  
Phone: +65 6571 2808  
Fax: +65 6571 2699  
[www.boschsecurity.com/xc/en/contact/](http://www.boschsecurity.com/xc/en/contact/)  
[www.boschsecurity.com](http://www.boschsecurity.com)