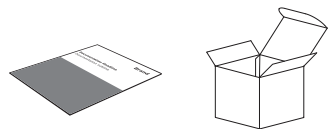
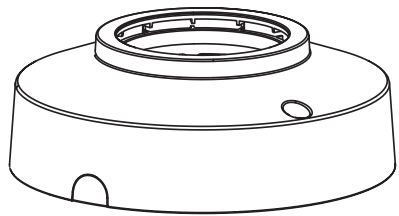
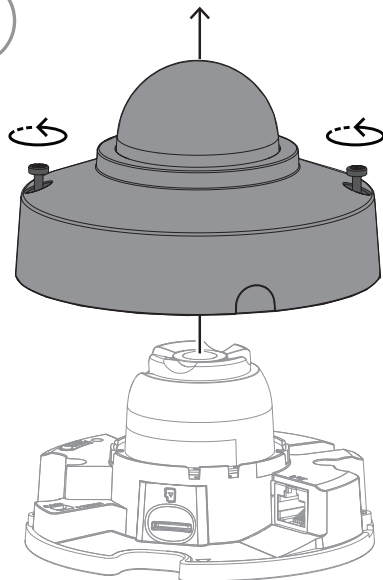


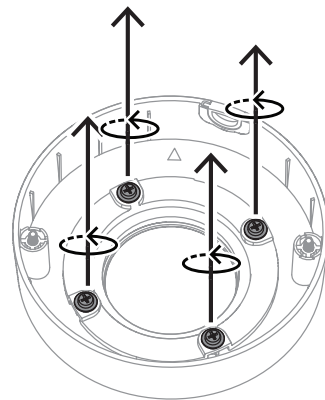
1 |



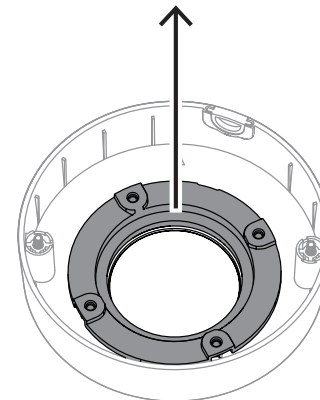
2 |



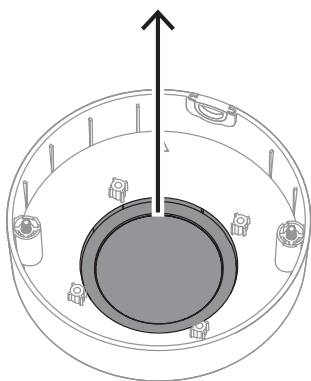
3 |



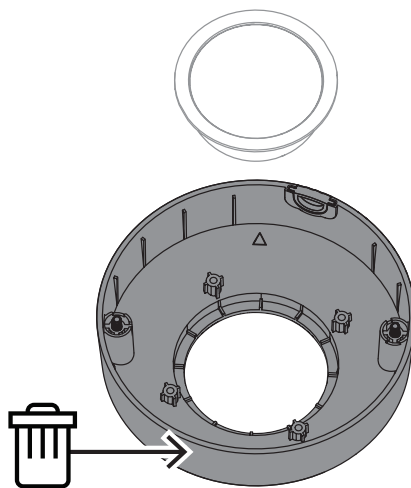
4 |



5 |

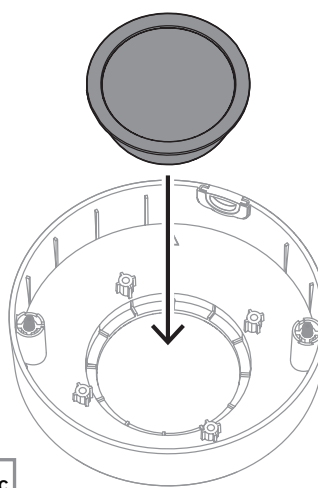


6 |



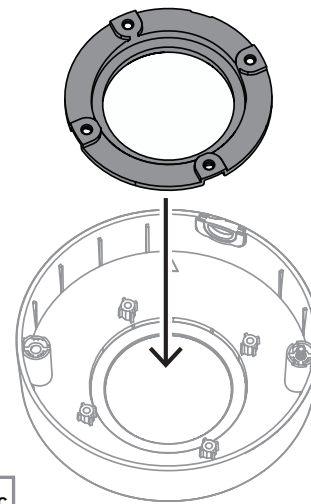
7 |

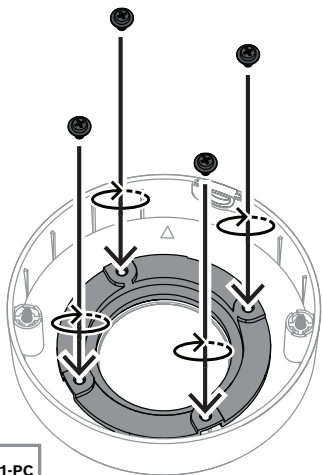
NDA-3081-PC



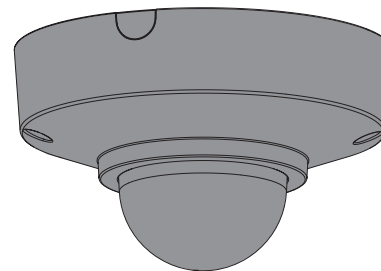
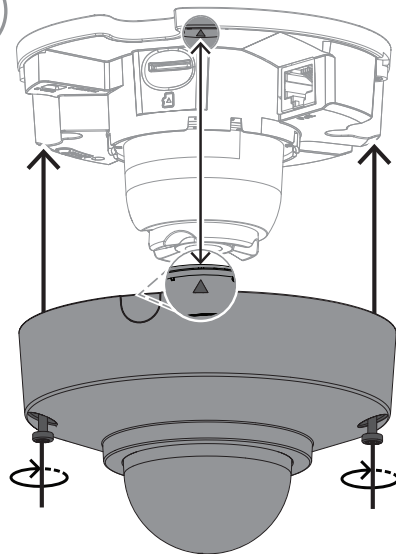
8 |

NDA-3081-PC

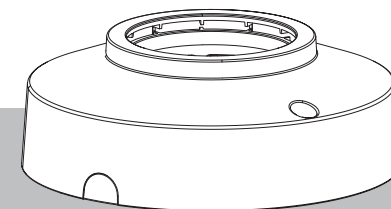




NDA-3081-PC



Paintable cover indoor microdome 3100i
NDA-3081-PC



en Quick installation guide

Bosch Security Systems B.V.

Torenallee 49

5617 BA Eindhoven

Netherlands

www.boschsecurity.com

© Bosch Security Systems B.V., 2023

Building solutions for a better life.

08-2023 | V01 | F.01U.411.840 | 202308281303