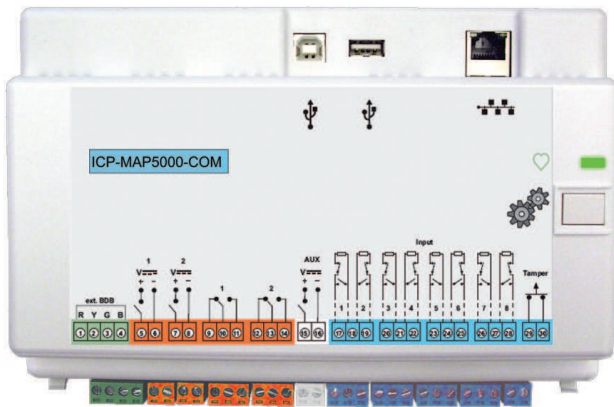


ICP-MAP5000-COM MAP5000 panel com

Modular Alarm Platform 5000



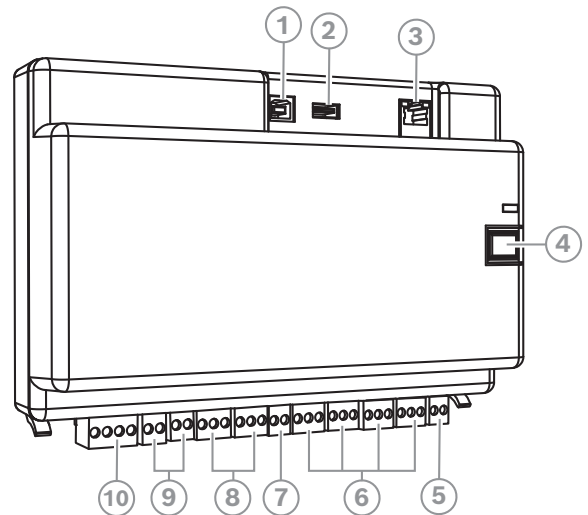
- ▶ Up to 1500 addresses, 500 areas, and 996 users
- ▶ 8 supervised inputs and one unsupervised tamper input
- ▶ Two programmable outputs for optical and acoustical signaling device as well as for other local notification devices; two programmable relay outputs; and one auxiliary output
- ▶ Two Bosch Data Bus (BDB) interfaces and Ethernet port
- ▶ Event reporting via Ethernet (optional) and via integrated IP Communicator

Using a Bosch Data Bus (BDB) based on Controller Area Network (CAN) technology as the internal and external bus, the panel supports a range of applications as part of the scalable Modular Alarm Platform 5000 system.

The panel mounts on the MAP Hinged Mounting Plate in the MAP Panel Enclosure Kit. This provides easy access to all wiring terminals and communication port connectors.

System overview

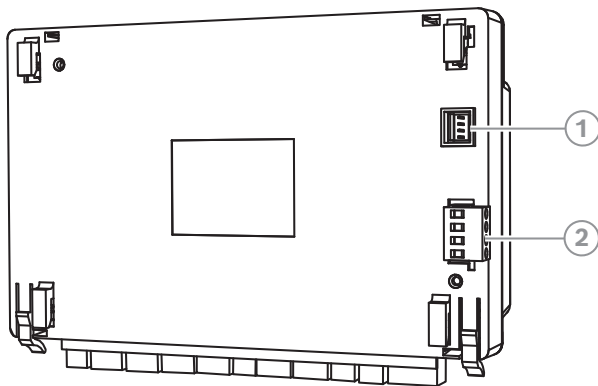
Terminals and connectors - front view



Element	Description
1	USB host port - currently not enabled
2	USB port - currently not enabled
3	Ethernet port
4	Installer button

Element	Description
5	Tamper switch input
6	Eight supervised inputs
7	Auxiliary power output
8	Two form C dry-contact relay outputs
9	Two auxiliary switched voltage outputs
10	External Bosch Data Bus (BDB) port

Terminals and connectors - back view



Element	Description
1	Power supply input connector
2	Internal Bosch Data Bus (BDB) port

Functions

The MAP panel supports up to 1500 addresses, 500 areas, and 996 users. As part of a Modular Alarm Platform 5000 solution, the MAP panel connects to building management systems through internet protocol (IP).

A VdS system is limited to two areas, when connecting to the MAP control centers via the internal and external Data Bus. More areas can be realized with additional operating and display panels (one per area) on the LSN bus or with additional control centers on the external Data Bus using the CAN splitter module.

Bosch Data Bus (BDB) based on CAN technology

The MAP panel provides two data buses:

- **Internal BDB** - Limited to 3 m in total length, the internal BDB connects the MAP panel to other MAP devices.
- **External BDB** -Up to 1000 m in total length, the external BDB allows keypads, LSN Gateways, CAN Splitter Modules and power supplies to be placed at the point of use, promoting greater efficiency.

Inputs and outputs

The panel supports one unsupervised tamper input and eight supervised inputs. It also supports one auxiliary output, two Form C dry-contact relay outputs, and two programmable outputs for local notification devices.

The auxiliary output and both power outputs are over-current protected. The outputs are designed to provide individual protection. As a result, if a short circuit occurs on one output, the fault does not adversely affect the operation of another output.

Firmware upgrades

The firmware of all devices in the MAP system can be upgraded or updated with Remote Programming Software for MAP (RPS for MAP). This allows for on-site or off-site (IP through Ethernet) upgrades or updates.

Languages

For each user, a preferred language is selected when the user is created. When the user logs in, the preferred language is used at the control center. Up to 15 user-selectable languages: German, English, French, Dutch, Hungarian, Polish, Italian, Russian, Spanish, Czech, Portuguese, Latvian, Romanian, Lithuanian, and Ukrainian.

Event reporting

Events can be transmitted via two separate paths (Ethernet, GPRS) to a monitoring station.

Available protocols via integrated IP Communicator:

- VdS 2465-S2
- SIA DC-09 (TCP/IP and UDP/IP)
- Conettix IP

Communication with Software Packages

The MAP system allows separate communication with the following:

• Management systems

The system can be integrated into different management systems over the REST based API - Open Intrusion Interface (OII).

• Remote Programming Software for MAP (RPS for MAP)

Programming and diagnostic software for MAP products that provides remote programming, record storage, remote control, and diagnostics options. Use of RPS for MAP is necessary to configure MAP5000 Panels, MAP5000 Keypads, and MAP peripherals.

Regulatory information

Battery information:

For NFA2P certification, this panel was tested with the FIAMM FG24204 battery.

OSS information:

MAP5000 Panels, MAP5000 Keypads, and RPS for MAP contain OSS components. For information on software packages, please refer to: [OSS used in Bosch products](#).

Region	Regulatory compliance/quality marks	
Europe	CE	
	EN-ST	EN-ST-000296 MAP 5000
	EN50131	G111040 Grade 3
Germany	VdS	G111040 VdS 2252, Class C
	VdS-S	S 112016

Parts included

Quantity	Component
1	MAP panel 5000 COM
1	Accessory pack <ul style="list-style-type: none"> • Eight 12.1 kΩ EOL resistors • Two 120 Ω CAN terminal EOL resistors • One panel power cable • One 2-pin terminal plug (white) • One 2-pin terminal plug (dark blue) • Two 3-pin terminal plugs (orange) • Four 3-pin terminal plugs (dark blue) • One 4-pin terminal plug (green) • Snap ferrite small • Snap ferrite big
1	Literature, Operation Manual
1	Literature, Release Notes

Technical specifications**Electrical**

Minimum operating voltage in VDC	19
Maximum operating voltage in VDC	29
Rated voltage in VDC	28
Minimum current consumption in mA	250
Maximum current consumption in mA	500

On-board inputs

Maximum line resistance in Ω	100
------------------------------	-----

Outputs

Maximum current consumption in mA per output	1000
--	------

Relay outputs

Maximum operating voltage in VDC	30
----------------------------------	----

Maximum operating voltage in VAC	30
----------------------------------	----

Back-up time	Determined by battery capacity and system load. Consider time or capacity limits for recharging the batteries regarding local regulations or EN standards if needed.
--------------	--

Frequency bands of operation **Power level for radio equipment**

GSM900	Class 4 (2W) - GPRS Class 10
GSM1800	Class 1 (1W) - GPRS Class 10

Mechanical

Dimension in cm (H x W x D)	14.6 x 21.6 x 5.5
-----------------------------	-------------------

Weight in g	450
-------------	-----

Indicators	Green LED for operating status
------------	--------------------------------

Number of output modules

Auxiliary output	1
------------------	---

Power output	2
--------------	---

Form C dry-contact relay output	2
---------------------------------	---

Number of devices

LSN Gateways	8
--------------	---

Control Centers	32
-----------------	----

Integrated IP Communicator	1
----------------------------	---

Environmental

Minimum operating temperature in °C	-10
-------------------------------------	-----

Maximum operating temperature in °C	55
-------------------------------------	----

Minimum storage temperature in °C	-20
-----------------------------------	-----

Maximum storage temperature in °C	60
Minimum relative humidity in %	5
Maximum relative humidity in %	95
Protection class	IP30 IP31 (built into the MAP Panel Enclosure with an edge protection profile)
Security level	IK04 IK06 (built into the MAP Panel Enclosure with an edge protection profile)
Environmental class	II: EN50130-5, VdS 2110
Usage	Indoor

Ordering information

ICP-MAP5000-COM MAP5000 panel com

MAP panel 5000 with wiring terminals for tamper and power supply inputs, eight supervised inputs form C relay and auxiliary power outputs, switched voltage outputs, two Bosch Data Bus ports and an Ethernet port.

Suitable for 8 LSN Gateways and 32 Control Centers (touch screen keypads).

Additional integrated IP Communicator.

Order number **ICP-MAP5000-COM | F.01U.289.149**

Represented by:

Europe, Middle East, Africa:
Bosch Security Systems B.V.
P.O. Box 80002
5600 JB Eindhoven, The Netherlands
www.boschsecurity.com/xc/en/contact/
www.boschsecurity.com

Germany:
Bosch Sicherheitssysteme GmbH
Robert-Bosch-Platz 1
D-70839 Gerlingen
www.boschsecurity.com

North America:
Bosch Security Systems, LLC
130 Perinton Parkway
Fairport, New York, 14450, USA
www.boschsecurity.com

Asia-Pacific:
Robert Bosch (SEA) Pte Ltd, Security Systems
11 Bishan Street 21
Singapore 573943
www.boschsecurity.com/xc/en/contact/
www.boschsecurity.com