

LBD3903-L Cabinet loudspeaker 12W, white



- ▶ Good speech intelligibility and background music reproduction
- ▶ MDF construction

The LBD3903-L is a 12W, general-purpose, cost effective loudspeaker for indoor use. Keyholes at the rear are provided for quick and easy wall mounting. The angled front baffle results in a better sound in the listening area.

Functions

The robust, solid MDF (Medium Density Fiber board) enclosures are covered with a durable, easy-to-clean white vinyl. The ABS fronts are covered with fine woven cloth in matching color.

The loudspeaker has been tested for operation at rated power for 100 hours in accordance with IEC 268-5 Power Handling Capacity (PHC) standards.

Installation/configuration notes

Three keyholes in the rear panel provide easy and quick wall mounting. A convenient, easy-to-use, 4-pole push-in terminal block is on the rear panel for on-site wiring. This terminal block has provision for power tapping on the 100-volt, matching transformer in the cabinet. It allows selection of nominal full-power, half-power or quarter power radiation (in 3 dB steps).

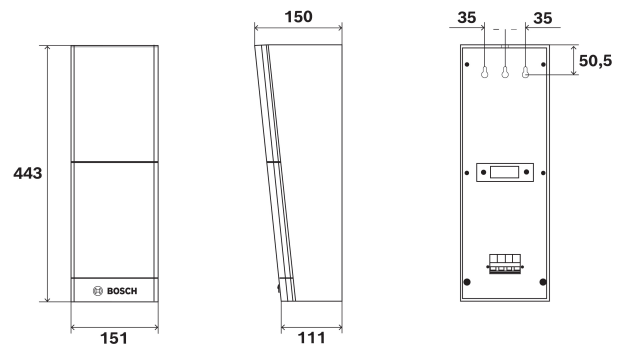


Fig. 1: Dimensions in mm

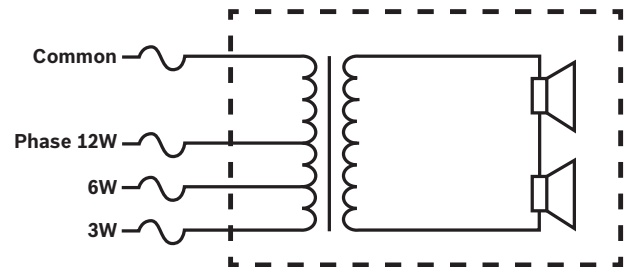


Fig. 2: Circuit diagram

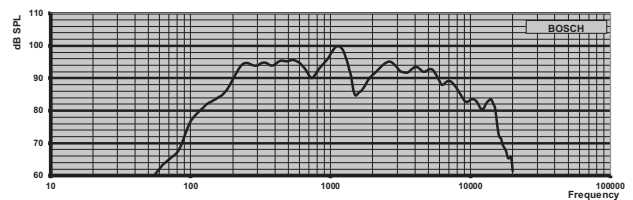


Fig. 3: Frequency response LBD3903-L

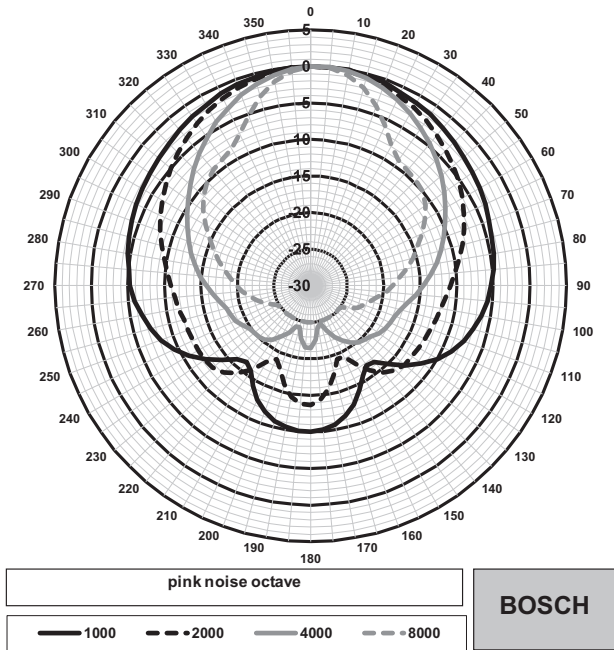


Fig. 4: Normalized polar plot LBD3903-L

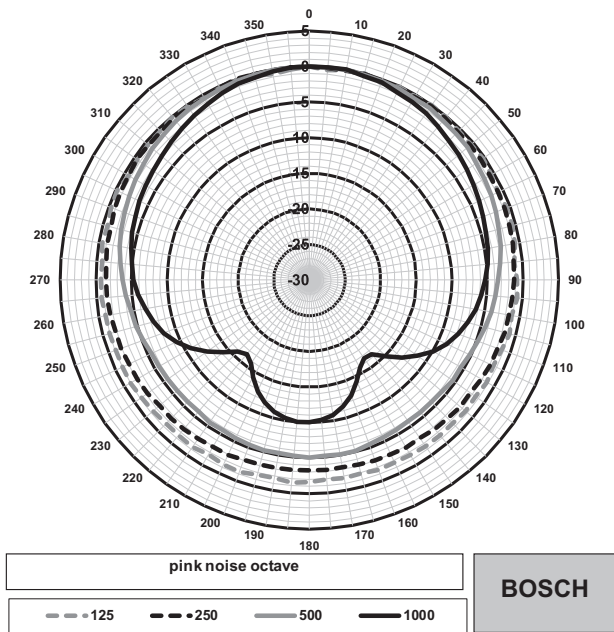


Fig. 5: Normalized polar plot LBD3903-L

2000 Hz	92.6	-	-
4000 Hz	94.2	-	-
8000 Hz	91.1	-	-
A-weighted	-	91.3	101.7
Lin-weighted	-	92.3	102.7

(1/1)th octave band sensitivity

Octave band opening angles

	Horizontal	Vertical	
125 Hz	360	360	
250 Hz	360	360	
500 Hz	360	124	
1000 Hz	193	70	
2000 Hz	116	97	
4000 Hz	85	57	
8000 Hz	47	43	

Acoustical performance specified per octave LBD3903-L.* (all measurements are done with a pink noise signal; the values are in dB SPL).

Parts included

Quantity	Component
1	LBD3903-L Cabinet loudspeaker 12W, white

Technical specifications

Electrical

Rated power	12 W (12 W / 6 W / 3 W)
Sound pressure level at 6 W / 1 W (1 kHz, 1 m)	101.7 dB / 91.3 dB (SPL)
Effective frequency range	150 Hz to 15 kHz
Opening angle horizontal at 1kHz / 4kHz (-6dB)	193° / 85°
Opening angle vertical at 1kHz / 4kHz (-6dB)	70° / 57°
Rated impedance	833 ohm
Rated input voltage	100 V

Octave band sensitivity*

	Octave SPL 1W/1m	Total octave SPL 1W/1m	Total octave SPL Pmax/1m
125 Hz	81.9	-	-
250 Hz	94.9	-	-
500 Hz	93.6	-	-
1000 Hz	97.3	-	-

Connector	4-pole push-in terminal
-----------	-------------------------

Mechanical

Dimensions (H x W x D)	445 mm x 151 mm x 150 mm / 111 mm
Weight	2.6 kg
Color	White

Environmental

Operating temperature	-5 °C to +55 °C
Storage temperature	-40 °C to +70 °C

Ordering information

LBD3903-L Cabinet loudspeaker 12W, white

Cabinet loudspeaker 12 W, MDF enclosure, finished in white, with keyholes for wall mounting.

Order number **LBD3903-L | F.01U.294.070**

Represented by:

Europe, Middle East, Africa:
Bosch Security Systems B.V.
P.O. Box 80002
5600 JB Eindhoven, The Netherlands
www.boschsecurity.com/xc/en/contact/
www.boschsecurity.com

Germany:
Bosch Sicherheitssysteme GmbH
Robert-Bosch-Platz 1
D-70839 Gerlingen
www.boschsecurity.com

North America:
Bosch Security Systems, LLC
130 Perinton Parkway
Fairport, New York, 14450, USA
www.boschsecurity.com

Asia-Pacific:
Robert Bosch (SEA) Pte Ltd, Security Systems
11 Bishan Street 21
Singapore 573943
www.boschsecurity.com/xc/en/contact/
www.boschsecurity.com