

WBB
Weatherproof Back Box
Accessory



3825 Ohio Avenue, St. Charles, Illinois 60174
 1-800-SENSOR2, FAX: 630-377-6495
 www.systemsensor.com

Specifications

Dimensions:

Box: 4.33" L x 1.55" W x 4.33" H

Foam gasket: 0.125" thick, adheres to box top

Conduit opening: (2) 1/2" NPT, fully threaded with
 (2) 1/2" NPT plug, (1) 3/8" knockout plug

Rear mounting tabs with 0.25" diameter eyelets

Top mounting holes, #8-32 x 0.50" DP

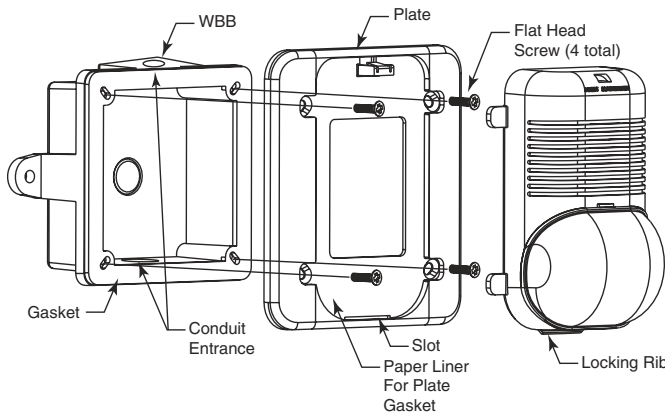
This accessory is UL listed for use with:

- H12/24K, S1224MCK, P1224MCK, and P12015K series SpectrAlert® wall horn, strobe and horn/strobe models
- SSM24 and SSV120 series alarm bells

Refer to specific model installation instructions for weatherproof rating, temperature operating range, indoor and outdoor application information.

Mounting Instructions

Figure 1: SpectrAlert horn, strobe, and horn/strobe ('K' suffix models) mounting with universal plate



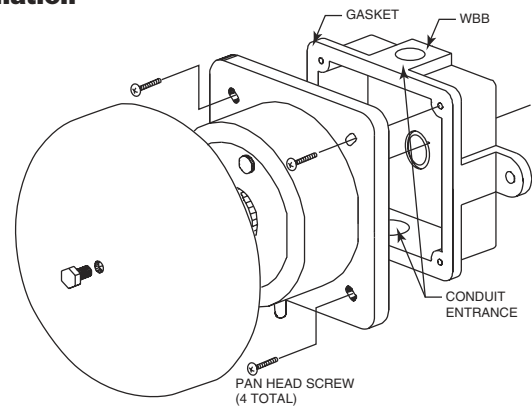
A0135-01

1. Mount back box in desired location (See Figure 1).
2. Install 1/2" NPT plug into unused conduit opening.
3. For SpectrAlert models, mount plate to back box using 4 #8-32 x 1/2" screws (Figure 1) supplied with product.
4. Complete field wiring.
5. Remove paper liner on plate gasket – **NOTE: Perform electrical tests first, then remove liner. Paper liner must be removed from gasket before final installation.**
6. Insert locking rib into slot on plate.
7. Press into plate; the SpectrAlert model will make a "click" when it has locked into place.

NOTE: The weatherproof or outdoor notification appliance must be used with the System Sensor WBB back box when installed in applications requiring the appliance to be weatherproof or outdoor-listed. In such applications, using a back box other than the System Sensor WBB will void the UL designation.

NOTE: All System Sensor weatherproof wall-mount horns and horn/strobes can be surface mounted or flush mounted when used with the System Sensor WBB.

Figure 2: Typical SSM and SSV bell weatherproof installation

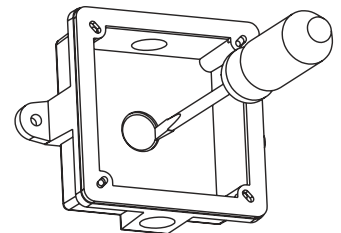


W0169-01

1. Mount back box in desired location (See Figure 2).
2. Install 1/2" NPT plug into unused conduit opening.
3. For SSM24 and SSV120 alarm bells, remove gong (refer to SSM and SSV bell series installation manual) and complete field wiring.
4. Mount bell to WBB with 4 #8-32 x 3/4" screws (Figure 2) supplied with product.

Figure 3: Knockout plug removal

1. If a rear conduit entry is required, remove the knockout plug using a flat blade screwdriver as shown in Figure 3. Strike sharply with a hammer to pierce the wall of the knockout plug. Move to an adjacent wall section and repeat until the plug falls out. Make sure that the back box is supported adequately during this operation to avoid injury.
2. To meet weatherproof or outdoor listing, the conduit entrance must be gasketed.
3. Install 1/2" NPT plugs (2) into unused conduit openings.



A0134-00