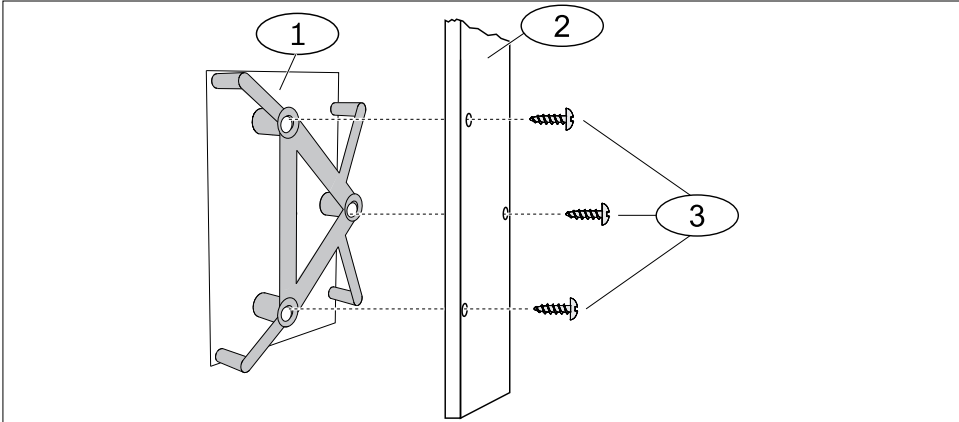


## 1 | Overview

This module protects the battery from deep discharge in the event of an extended AC power outage to the control panel.

## 2 | Installing the module in the enclosure

Install the module into the enclosure's 3-hole mounting pattern using the supplied mounting screws and mounting bracket. Refer to *Figure 2.1*.



### Callout – Description

- 1 – Mounting bracket
- 2 – Enclosure
- 3 – Mounting screws (3)

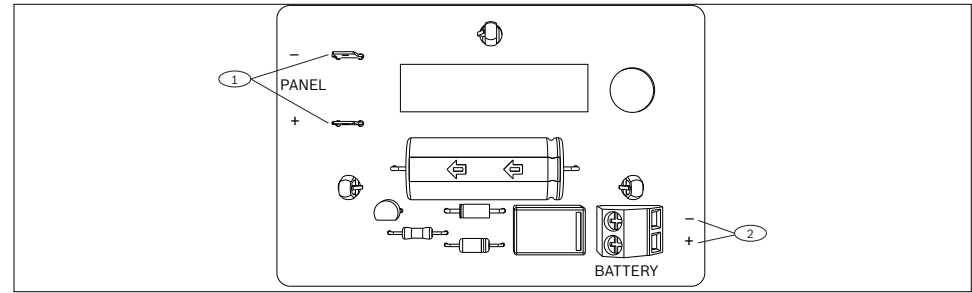
## 3 | Installing the module



### NOTICE!

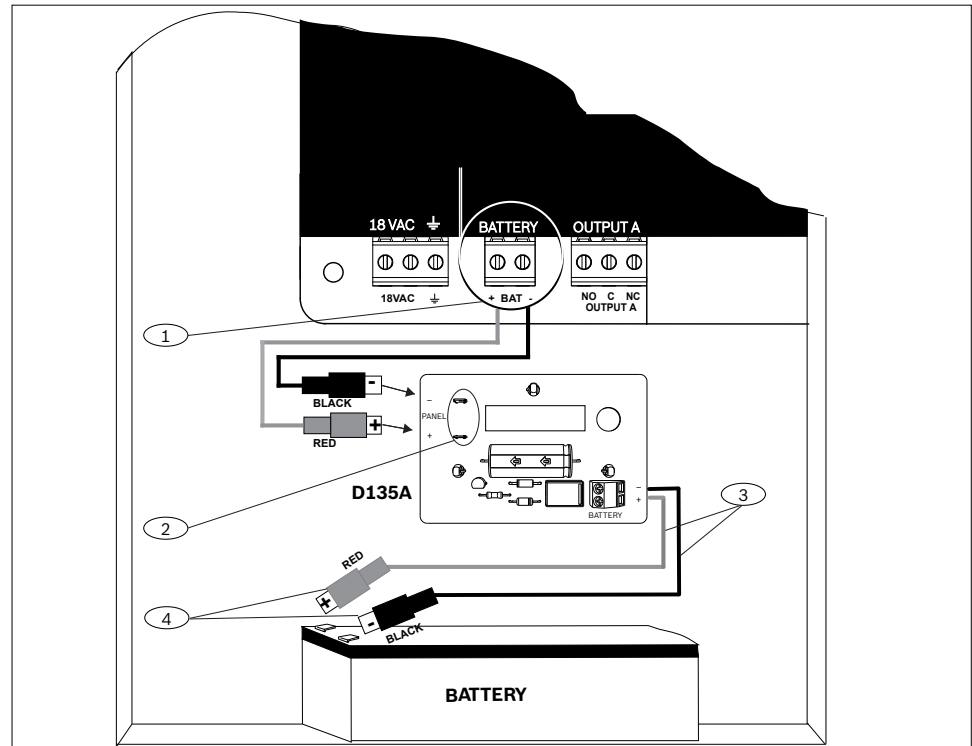
Observe polarity when connecting the D135A module.

1. Plug the battery wires from the control panel into the D135A module's Panel terminals.
2. Locate the red and black battery leads supplied in the hardware pack.
3. Attach the red battery lead to the D135A module's positive (+) Battery terminal.
4. Attach the black battery lead to the D135A module's negative (-) Battery terminal.
5. Power on the control panel.
6. Plug the red battery lead into the battery's positive (+) terminal.
7. Plug the black battery lead into the battery's negative (-) terminal.



### Callout – Description

- 1 – Control panel connections
- 2 – Battery terminals



### Callout – Description

- 1 – Control panel battery connections
- 2 – Control panel to module connection
- 3 – Battery leads (supplied with module)
- 4 – Module to battery connections

### 3 | Certifications

Region	Certification
CAN	CAN/ULC-S559 Fire Signal Receiving Centres and Systems

### 4 | Specifications

Operating temperature	+32°F to +122°F (0°C to +50°C)
Relative humidity	5% to 93% at +90°F (+32°C) non-condensing
Dimensions	2.75 in x 1.25 in x 0.75 in (70 mm x 32 mm x 20 mm)
Weight	.074 oz (0.21 kg)
Maximum battery charge current	2 A
Maximum current from battery	2 A
Module current	40 mA
Voltage	12 VDC nominal
Cut off voltage	9.5 V
Compatibility	B6512 B5512/B5512E B4512/B4512E B3512/B3512E
Batteries	1 x 7AH or 1 x 18 AH 12V battery
Battery leads	2
Mounting screws	3

#### Copyright

This document is the intellectual property of Bosch Security Systems B.V. and is protected by copyright. All rights reserved.

#### Trademarks

All hardware and software product names used in this document are likely to be registered trademarks and must be treated accordingly.

#### Bosch Security Systems, Inc. product manufacturing dates

Use the serial number located on the product label and refer to the Bosch Security Systems B.V. website at <http://www.boschsecurity.com/datecodes/>.

DE-de: Für Dokumentation in Ihrer Sprache, klicken Sie hier <https://de.boschsecurity.com/de>

EL-gr: Μεταβείτε στη διεύθυνση <https://gr.boschsecurity.com/el/> για την τεκμηρίωση σε αυτήν τη γλώσσα.

Es-es: Visite <https://es.boschsecurity.com/es/> para obtener documentación en este idioma.

Fr-fr: Accédez à l'adresse <https://fr.boschsecurity.com/fr/> pour obtenir la documentation dans cette langue.

Hu-hu: A honosított dokumentációt lásd a <https://hu.boschsecurity.com/hu/> oldalon.

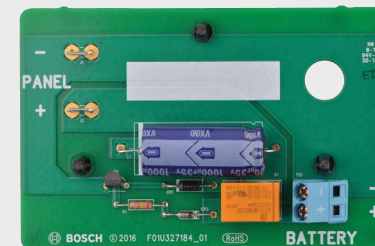
It-it: Andare a <https://it.boschsecurity.com/it/> per la documentazione in questa lingua.

NL-nl: Voor de documentatie in uw taal, ga naar <https://www.boschsecurity.com/nl/nl>

Pl-pl: Dokumentacja w tym języku znajduje się w witrynie <https://pl.boschsecurity.com/pl/>

Pt-br: Acesse <http://pt.boschsecurity.com/pt/> para obter a documentação neste idioma.

SE-sv: For documentation in this language, go to <https://www.boschsecurity.com/xn/en/>



## D135A Low Battery Disconnect Module



en Installation Manual

Bosch Security Systems, B.V.

Torenallee 49  
5617 BA Eindhoven  
Netherlands

[www.boschsecurity.com](http://www.boschsecurity.com)

